



OPTIC TRACK L 36° BLACK 3000K

Dimmable tracklights with replaceable LED and driver – built for the future. With reflector technology, high luminous efficacy is ensured with distinct and clear light distribution – perfect as accent lighting when you want to direct the light onto what you want to highlight, but also as general lighting in both private and public environments. Low-build universal adapter for 3-phase track. For improved glare reduction, the Honeycomb accessory can be added to the luminaire. You can easily replace the reflector with a lens accessory to adjust the light distribution as needed (XS, XXS). Suitable for most 3-phase track systems, e.g. Global Trac, (Erco for phase dimming).

DESCRIPTION

| | |
|-------------------|-------------------------------|
| GTIN: | 7392971140971 |
| Item Name: | Optic Track L 36° Black 3000K |
| Warranty: | 5 years |

LIGHT TECHNICAL DATA

| | |
|-------------------------------------|---|
| Max. Luminaire Lumen (lm): | 2900 |
| Light Source: | LED |
| Replaceability: | Replaceable LED by professional, Replaceable Control gear by professional |
| LED Colour: | Warm White |
| Colour Temperature (K): | 3000 |
| Colour Rendering Index (Ra): | >90 |
| Colour Consistency (SDCM): | 3 |
| Luminous Intensity (cd): | 4900 |
| Beam Angle (°): | 36 |
| Light sharing: | Symmetric |
| Light Outlet: | Direct |
| Number of Lamps (pcs): | 1 |
| Number of LED (pcs): | 1 |
| Life Time: | h Ta °C |
| Nominal Life Time (h): | 100000 |
| Lumen maintenance 50 000h: | L91 |
| Lumen maintenance 75 000h: | L87 |
| Lumen maintenance 100 000h: | L83 |
| LLMF @ 50 000h: | 0.91 |
| LLMF @ 100 000h: | 0.83 |
| Life Time Driver: | 50 000h/10% |
| Flicker (PstLM): | 0,026 |
| Stroboscopic effect (SVM): | 0,029 |

TECHNICAL DATA

| | |
|---|------------|
| Adjustable: | Yes |
| Tilttable (°): | 90 |
| Rotatable (°): | 355 |
| Voltage (type): | AC |
| Voltage Interval (V): | 220...240V |
| Voltage Nominal (V): | 230 |
| Line Frequency (Hz): | 50, 60 |
| Power LED (W): | 27,2 |
| Max. Power Luminaire (W): | 31 |
| Max. System Power (W): | 31 |
| Max. Efficiency Luminaire (lm/W): | 93,5 |
| Max. Efficiency System (lm/W): | 93,5 |
| Containing light source energy efficiency class (EU) 2019/2015: F | |
| Eprel registration number: | 869722 |

OPERATION AND CONNECTION

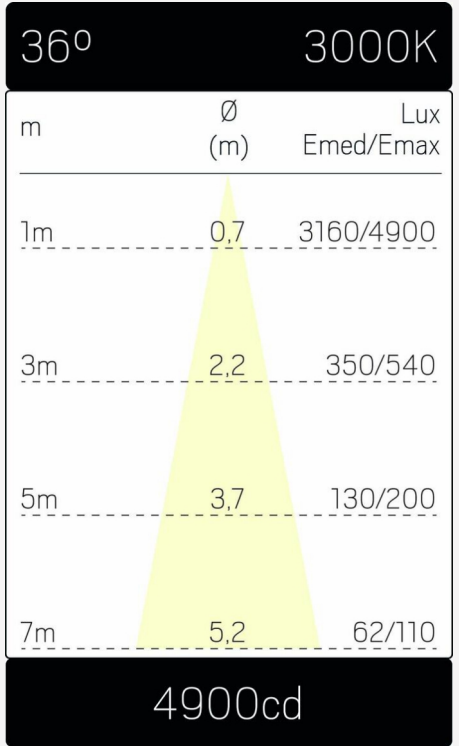
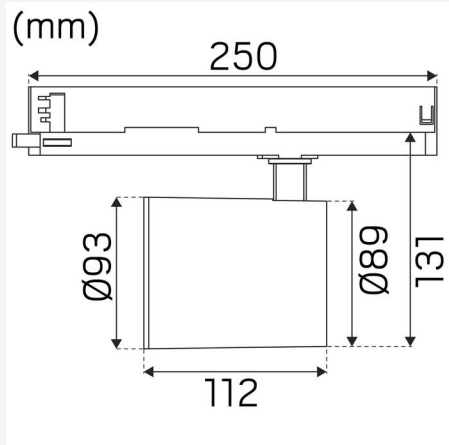
| | |
|--|---------------------------|
| Dimmable: | Yes |
| Type of Dimming: | Trailing Edge |
| Driver Included: | Yes - replaceable |
| Driver Model: | Constant Current |
| Driver Type: | Built-in |
| Connection (type): | 3-phase universal adapter |
| Power Factor λ : | 0,92 |
| Efficiency (%): | 86 |
| Power loss (W): | 4,34 |
| Leakage current (mA) (at 230 V, 50 Hz, full load): | 0,25 |
| THD (%): | 20 |
| Constant Current (mA): | 800 |
| Min. Ta (°C): | -20 |
| Max. Ta (°C): | 35 |
| Max. Tc (°C): | 85 |
| Dimming secondary side: | AM |
| Suitable for random switching: | Yes |
| Inrush current (max/time): | 30A 500 μ s |
| Mains surge protection DM (kV): | 2 |
| Fuse B10 (pcs): | 10 |
| Fuse B16 (pcs): | 16 |
| Fuse C10 (pcs): | 16 |
| Fuse C16 (pcs): | 26 |

COLOR AND MATERIAL

| | |
|---------------------------|--------------------------------------|
| Material: | Aluminium |
| Color: | Black |
| Environmental Assessment: | Byggvarubedömningen |
| SCiP: | 55eb7e0c-2d7f-4eb8-a2f5-6cc230414122 |

MEASUREMENT AND INSTALLATION

| | |
|--------------------------------|---------------------------|
| Operating Environment: | Indoor / dry locations |
| IP Degree of Protection: | 20 |
| Protection Class: | II |
| Installation: | Light-track mounting |
| Mounting Installation: | 3-phase Universal Adapter |
| Approval Marks: | CE, a Hide-a-lite Choice |
| Filament Test IEC 695-2-1(°C): | 650 |
| Length (mm): | 250 |
| Height (mm): | 172 |
| Diameter (mm): | 93 |
| Weight (kg): | 0,9 |



hideolite
choice

We focus on sustainability using recycled material for creating innovative luminaires, as well as replaceable LEDs and drivers.

Luminaires built for the future!