



## VISION TRACK L 3-PHASE PRO 44° WHITE

Discover Vision Track – where innovation meets installation. A tracklight that lets you choose your colour temperature from 2700K to 6500K, with or without RGB, and, with the aid of AI technology, can identify and intensify the surface colours of an illuminated object. Ideal for raising the colours of an object to a whole new level. Outstanding in dynamic environments such as car showrooms, museums, supermarkets and clothing stores – everywhere intensified colours make a difference. Maximise the colours of your subject with Vision Track Pro, which adjusts the settings automatically, or manually using our simple app for customised lighting. The luminaire has lens technology with a high luminous efficacy and is available in black or white. Vision Track can act as a secondary unit to Vision Track Pro. All models have Bluetooth Mesh for easy control of several luminaires. Low-build universal adapter for 3-phase track, supplied complete with integrated driver.

### DESCRIPTION

<b>GTIN:</b>	7392971152110
<b>Item Name:</b>	Vision Track L 3-phase Pro 44° White
<b>Warranty:</b>	5 years

## LIGHT TECHNICAL DATA

Max. Luminaire Lumen (lm):	1800
Light Source:	LED
Replaceability:	Non-replaceable LED and control gear
Colour Temperature (K):	3000
Range Colour Temperature (K):	2700-6500
Colour Rendering Index (Ra):	>90
Colour Consistency (SDCM):	3
Luminous Intensity (cd):	3500
Beam Angle (°):	44
Light sharing:	Symmetric
Light Outlet:	Direct
Number of Lamps (pcs):	1
Number of LED (pcs):	1
Life Time:	h Ta °C
Nominal Life Time (h):	100000
Lumen maintenance 50 000h:	L90
Lumen maintenance 75 000h:	L80
Lumen maintenance 100 000h:	L70
LLMF @ 50 000h:	0.9
LLMF @ 100 000h:	0.7
Life Time Driver:	50 000h/5%
Flicker (PstLM):	0,8
Stroboscopic effect (SVM):	0,1

## TECHNICAL DATA

Adjustable:	Yes
Tilttable (°):	90
Rotatable (°):	360
Voltage (type):	AC
Voltage Interval (V):	220...240V
Voltage Nominal (V):	230
Line Frequency (Hz):	50
Power LED (W):	26
Max. Power Luminaire (W):	30
Max. System Power (W):	30
Max. Efficiency Luminaire (lm/W):	60
Max. Efficiency System (lm/W):	60
Containing light source energy efficiency class (EU) 2019/2015: F	
Eprel registration number:	2053971

## OPERATION AND CONNECTION

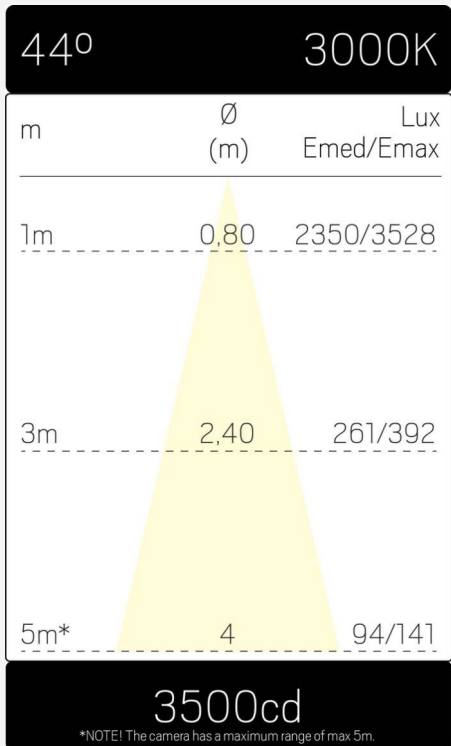
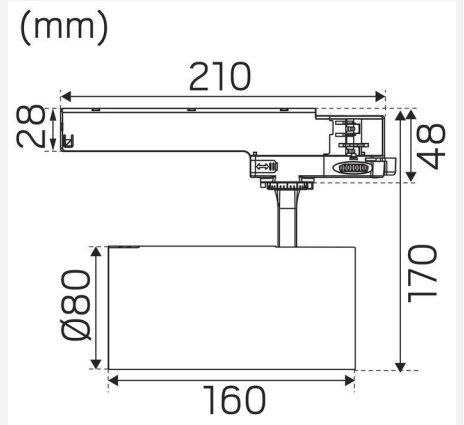
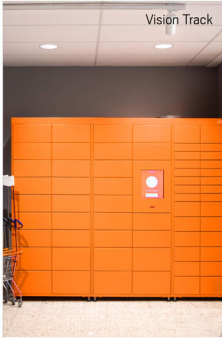
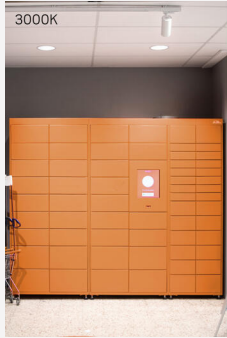
<b>Dimmable:</b>	Yes
<b>Type of Dimming:</b>	Bluetooth, AI-kamera
<b>Driver Included:</b>	Yes
<b>Driver Model:</b>	Constant Current
<b>Driver Type:</b>	Built-in
<b>Driver Manufacturer:</b>	Hide-a-lite
<b>Connection (type):</b>	3-phase universal adapter
<b>Power Factor <math>\lambda</math>:</b>	0,9
<b>Efficiency (%):</b>	86
<b>Power loss (W):</b>	4
<b>Leakage current (mA) (at 230 V, 50 Hz, full load):</b>	0,05
<b>THD (%):</b>	15
<b>Standby Power:</b>	1,5
<b>Constant Current (mA):</b>	720
<b>Min. Ta (°C):</b>	-10
<b>Max. Ta (°C):</b>	30
<b>Max. Tc (°C):</b>	85
<b>Dimming secondary side:</b>	AM
<b>Memory Function Power Failure:</b>	Yes
<b>Protection Against:</b>	Short Circuit, Overheating 120°C, Overload
<b>Inrush current (max/time):</b>	35A 118 $\mu$ s
<b>Mains surge protection DM (kV):</b>	1
<b>Mains surge protection CM (kV):</b>	2
<b>Fuse B10 (pcs):</b>	24
<b>Fuse B16 (pcs):</b>	38
<b>Fuse C10 (pcs):</b>	40
<b>Fuse C16 (pcs):</b>	64

## COLOR AND MATERIAL

<b>Material:</b>	Aluminium
<b>Color:</b>	White
<b>Environmental Assessment:</b>	Byggvarubedömningen
<b>Available in special color:</b>	No
<b>SCIP:</b>	ba4e5a05-fd6e-4342-9344-f15f3223c77c

## MEASUREMENT AND INSTALLATION

<b>Operating Environment:</b>	Indoor / dry locations
<b>IP Degree of Protection:</b>	20
<b>Protection Class:</b>	II
<b>Installation:</b>	Light-track mounting
<b>Mounting Installation:</b>	3-phase Universal Adapter
<b>Approval Marks:</b>	CE
<b>Filament Test IEC 695-2-1(°C):</b>	650
<b>Length (mm):</b>	210
<b>Height (mm):</b>	170
<b>Diameter (mm):</b>	80
<b>Weight (kg):</b>	0,822



VISION TRACK L / PRO

Kahvin	Watt	Lumen	
		20°	44°
2700	30	1900	1550
3000	30	2200	1800
4000	26	2000	1550
6500	21	1300	1050
Red	9	180	140
Green	9	550	430
Blue	9	360	290