



SPOT UP MULTI 7 3000K

A stylish energy efficient ground spot for gardens or properties. Multichip and reflector optics give excellent light with halogen character. Housing of cast aluminium, outer ring of stainless steel (316) and hardened protective glass. Can be installed in the ground together mounting box. Comes complete with integrated driver, 2 m rubber cable and mounting box. Life time: (L70) 50,000 hours. Available also in variants 3W and 17W.

DESCRIPTION

GTIN:	7392971123318
Item Name:	Spot Up Multi 7 3000K
Warranty:	5 years

LIGHT TECHNICAL DATA

Max. Luminaire Lumen (lm):	500
Light Source:	LED
Replaceability:	Non-replaceable LED and control gear
LED Colour:	Warm White
Colour Temperature (K):	3000
Colour Rendering Index (Ra):	>80
Colour Consistency (SDCM):	3
Luminous Intensity (cd):	1080
Beam Angle (°):	40
Light sharing:	Symmetric
Light Outlet:	Direct
Number of Lamps (pcs):	1
Number of LED (pcs):	1
Life Time:	h Ta °C
Nominal Life Time (h):	50000
Lumen maintenance 50 000h:	L77
LLMF @ 50 000h:	0.77
Life Time Driver:	50 000h/5%

TECHNICAL DATA

Voltage Interval (V):	220...240V
Voltage Nominal (V):	230
Line Frequency (Hz):	50
Power LED (W):	5,76
Max. Power Luminaire (W):	7,5
Max. System Power (W):	7,5
Max. Efficiency Luminaire (lm/W):	66,7
Max. Efficiency System (lm/W):	66,7

Containing light source energy efficiency class (EU) 2019/2015: D

OPERATION AND CONNECTION

Dimmable:	No
Type of Dimming:	OnOff
Driver Included:	Yes
Driver Model:	Constant Current
Driver Type:	Built-in
Connection (type):	Cable, Open Cable End
Length Connection (cm):	200
Connection (mm ²):	3x1,5
Leakage current (mA) (at 230 V, 50 Hz, full load):	0,08
Min. Ta (°C):	-20
Max. Ta (°C):	40
Max. Tc (°C):	75
Fuse B10 (pcs):	107
Fuse B16 (pcs):	173
Fuse C10 (pcs):	107
Fuse C16 (pcs):	173

COLOR AND MATERIAL

Material:	Diecasted, Aluminium
Material Cover Ring:	Stainless Steel
Color:	Stainless Steel
Color Cover Ring:	Stainless Steel

MEASUREMENT AND INSTALLATION

Operating Environment:	Indoor / wet locations, Outdoor
IP Degree of Protection:	67
Protection Class:	I
Installation:	Built-in
Mounting Installation:	Mounting Box
Max. Pressure (kg):	1220
Approval Marks:	CE
Impact Strength:	IK08
Width (mm):	85
Height (mm):	121
Depth (mm):	85
Diameter (mm):	85
Weight (kg):	0,7
Height Recessed Part (mm):	118
Height Exterior Part (mm):	3
Built-in Ø (mm):	80mm

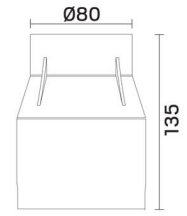


40°

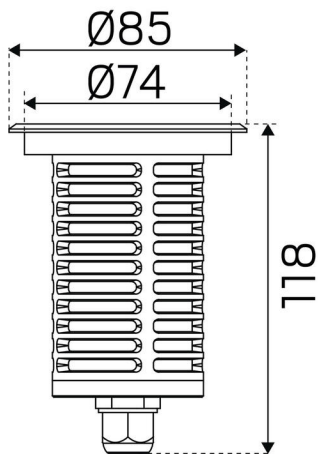
m	Ø (m)	Lux Emed/Emax
20m	11,96	1,23/2,25
15m	8,97	2,2/4
10m	5,98	5/9
5m	2,99	20/36
3m	1,79	55/81
2m	1,20	123/182
1m	0,60	492/723

732cd





(mm)



(mm)

