



SPOT UP MULTI 7 TILT 3000K

Adjustable ground spot in two sizes with high finish for gardens and buildings. The luminaire is adjustable 12.5° in two directions so the light can be directed towards facades, for example, while reducing glare. Multichip and reflector optics give excellent light with halogen character. Housing of cast aluminium, outer ring of stainless steel (316) and hardened protective glass. Installed in ground or embedded. Comes complete with integrated driver, 2 m rubber cable and mounting box. Connects to 230V.

DESCRIPTION

GTIN:	7392971126760
Item Name:	Spot up Multi 7 Tilt 3000K
Warranty:	5 years

LIGHT TECHNICAL DATA

Max. Luminaire Lumen (lm):	500
Light Source:	LED
Replaceability:	Non-replaceable LED and control gear
LED Colour:	Warm White
Colour Temperature (K):	3000
Colour Rendering Index (Ra):	>80
Colour Consistency (SDCM):	3
Luminous Intensity (cd):	1065
Beam Angle (°):	40
Light sharing:	Symmetric
Light Outlet:	Direct
Number of Lamps (pcs):	1
Number of LED (pcs):	1
Life Time:	h Ta °C
Nominal Life Time (h):	50000
Lumen maintenance 50 000h:	L77
LLMF @ 50 000h:	0.77
Life Time Driver:	50 000h/5%

TECHNICAL DATA

Adjustable:	Yes
Tiltable (°):	12
Voltage (type):	AC
Voltage Interval (V):	220...240V
Voltage Nominal (V):	230
Line Frequency (Hz):	50, 60
Power LED (W):	7
Max. Power Luminaire (W):	7,5
Max. System Power (W):	7,5
Max. Efficiency Luminaire (lm/W):	66,7
Max. Efficiency System (lm/W):	66,7
Containing light source energy efficiency class (EU) 2019/2015: E	

OPERATION AND CONNECTION

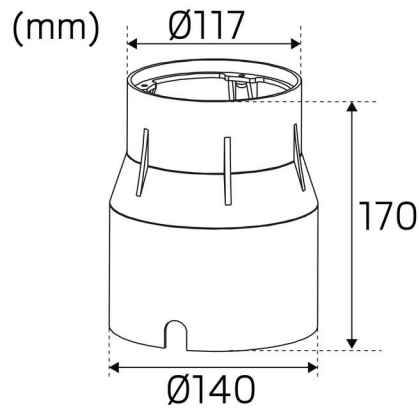
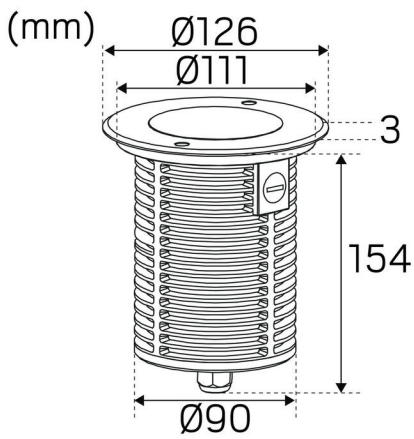
Dimmable:	No
Type of Dimming:	OnOff
Driver Included:	Yes
Driver Model:	Constant Current
Driver Type:	Built-in
Connection (type):	Cable
Length Connection (cm):	200
Connection (mm ²):	3x1,5
Leakage current (mA) (at 230 V, 50 Hz, full load):	0,07
Constant Current (mA):	350
Min. Ta (°C):	-20
Max. Ta (°C):	40
Max. Tc (°C):	75
Fuse B10 (pcs):	107
Fuse B16 (pcs):	173
Fuse C10 (pcs):	107
Fuse C16 (pcs):	173

COLOR AND MATERIAL

Material:	Diecasted, Aluminium
Material Cover Ring:	Stainless Steel
Color:	Stainless Steel
Color Cover Ring:	Stainless Steel

MEASUREMENT AND INSTALLATION

Operating Environment:	Indoor / wet locations, Outdoor
IP Degree of Protection:	67
Protection Class:	I
Installation:	Built-in
Mounting Installation:	Mounting Box
Max. Pressure (kg):	1220
Approval Marks:	CE
Impact Strength:	IK08
Height (mm):	154
Diameter (mm):	126
Weight (kg):	1,4
Height Recessed Part (mm):	170
Height Exterior Part (mm):	3
Built-in Ø (mm):	117mm



40°

m	Ø (m)	Lux Emed/Emax
20m	11,96	1,23/2,25
15m	8,97	2,2/4
10m	5,98	5/9
5m	2,99	20/36
3m	1,79	55/81
2m	1,20	123/182
1m	0,60	492/723

732cd