



OPTIC TRACK L 60° BLACK 3000K

Dimmable tracklights with replaceable LED and driver – built for the future. With reflector technology, high luminous efficacy is ensured with distinct and clear light distribution – perfect as accent lighting when you want to direct the light onto what you want to highlight, but also as general lighting in both private and public environments. Low-build universal adapter for 3-phase track. For improved glare reduction, the Honeycomb accessory can be added to the luminaire. You can easily replace the reflector with a lens accessory to adjust the light distribution as needed (XS, XXS). Suitable for most 3-phase track systems, e.g. Global Trac, (Erco for phase dimming).

DESCRIPTION

GTIN:	7392971140988
Item Name:	Optic Track L 60° Black 3000K
Warranty:	5 years

LIGHT TECHNICAL DATA

Max. Luminaire Lumen (lm):	2900
Light Source:	LED
Light Source Included:	Yes
Replaceability:	Replaceable LED by professional, Replaceable Control gear by professional
LED Colour:	Warm White
Colour Temperature (K):	3000
Colour Rendering Index (Ra):	>90
Colour Consistency (SDCM):	3
Luminous Intensity (cd):	3040
Beam Angle (°):	60
Light sharing:	Symmetric
Light Outlet:	Direct
Number of Lamps (pcs):	1
Number of LED (pcs):	1
Life Time:	h Ta °C
Nominal Life Time (h):	100000
Lumen maintenance 50 000h:	L91
Lumen maintenance 75 000h:	L87
Lumen maintenance 100 000h:	L83
LLMF @ 50 000h:	0.91
LLMF @ 100 000h:	0.83
Life Time Driver:	50 000h/10%
Flicker (PstLM):	0,026
Stroboscopic effect (SVM):	0,029

TECHNICAL DATA

Adjustable:	Yes
Tilttable (°):	90
Rotatable (°):	355
Voltage (type):	AC
Voltage Interval (V):	220...240V
Voltage Nominal (V):	230
Line Frequency (Hz):	50, 60
Power LED (W):	27,2
Max. Power Luminaire (W):	31
Max. System Power (W):	31
Max. Efficiency Luminaire (lm/W):	94
Max. Efficiency System (lm/W):	94
Containing light source energy efficiency class (EU) 2019/2015: F	

OPERATION AND CONNECTION

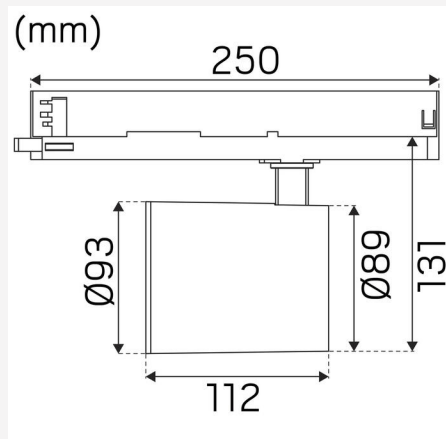
Dimmable:	Yes
Type of Dimming:	Trailing Edge
Driver Included:	Yes - replaceable
Driver Model:	Constant Current
Driver Type:	Built-in
Connection (type):	3-phase universal adapter
Power Factor λ:	0,92
Efficiency (%):	86
Power loss (W):	4,34
Leakage current (mA) (at 230 V, 50 Hz, full load):	0,25
THD (%):	20
Constant Current (mA):	800
Min. Ta (°C):	-20
Max. Ta (°C):	35
Max. Tc (°C):	85
Dimming secondary side:	AM
Suitable for random switching:	Yes
Inrush current (max/time):	30A 500 μ s
Mains surge protection DM (kV):	2
Fuse B10 (pcs):	10
Fuse B16 (pcs):	16
Fuse C10 (pcs):	16
Fuse C16 (pcs):	26

COLOR AND MATERIAL

Material:	Aluminium
Color:	Black
Environmental Assessment:	Byggvarubedömningen
SCIP:	55eb7e0c-2d7f-4eb8-a2f5-6cc230414122

MEASUREMENT AND INSTALLATION

Operating Environment:	Indoor / dry locations
IP Degree of Protection:	20
Protection Class:	II
Installation:	Light-track mounting
Mounting Installation:	3-phase Universal Adapter
Approval Marks:	CE, a Hide-a-lite Choice
Filament Test IEC 695-2-1(°C):	650
Length (mm):	250
Height (mm):	172
Diameter (mm):	93
Weight (kg):	0,9



60°

3000K

m	Ø (m)	Lux Emed/Emax
---	-------	---------------

1m	1,1	2200/3000
----	-----	-----------

2m	2,2	540/750
----	-----	---------

3m	3,3	240/330
----	-----	---------

5m	5,4	90/120
----	-----	--------

3040cd



hideolite
choice

We focus on sustainability using recycled material for creating innovative luminaires, as well as replaceable LEDs and drivers.

Luminaires built for the future!