



## OPTIC TRACK L 15° BLACK 4000K

Dimmable tracklights with replaceable LED and driver – built for the future. With reflector technology, high luminous efficacy is ensured with distinct and clear light distribution – perfect as accent lighting when you want to direct the light onto what you want to highlight, but also as general lighting in both private and public environments. Low-build universal adapter for 3-phase track. For improved glare reduction, the Honeycomb accessory can be added to the luminaire. You can easily replace the reflector with a lens accessory to adjust the light distribution as needed (XS, XXS). Suitable for most 3-phase track systems, e.g. Global Trac, (Erco for phase dimming).

### DESCRIPTION

<b>GTIN:</b>	7392971140995
<b>Item Name:</b>	Optic Track L 15° Black 4000K
<b>Warranty:</b>	5 years

## LIGHT TECHNICAL DATA

<b>Max. Luminaire Lumen (lm):</b>	3000
<b>Light Source:</b>	LED
<b>Light Source Included:</b>	Yes
<b>Replaceability:</b>	Replaceable LED by professional, Replaceable Control gear by professional
<b>LED Colour:</b>	White
<b>Colour Temperature (K):</b>	4000
<b>Colour Rendering Index (Ra):</b>	>90
<b>Colour Consistency (SDCM):</b>	3
<b>Luminous Intensity (cd):</b>	13950
<b>Beam Angle (°):</b>	15
<b>Light sharing:</b>	Symmetric
<b>Light Outlet:</b>	Direct
<b>Number of Lamps (pcs):</b>	1
<b>Number of LED (pcs):</b>	1
<b>Life Time:</b>	h Ta °C
<b>Nominal Life Time (h):</b>	100000
<b>Lumen maintenance 50 000h:</b>	L91
<b>Lumen maintenance 75 000h:</b>	L87
<b>Lumen maintenance 100 000h:</b>	L83
<b>LLMF @ 50 000h:</b>	0.91
<b>LLMF @ 100 000h:</b>	0.83
<b>Life Time Driver:</b>	50 000h/10%
<b>Flicker (PstLM):</b>	0,026
<b>Stroboscopic effect (SVM):</b>	0,029

## TECHNICAL DATA

<b>Adjustable:</b>	Yes
<b>Tilttable (°):</b>	90
<b>Rotatable (°):</b>	355
<b>Voltage (type):</b>	AC
<b>Voltage Interval (V):</b>	220...240V
<b>Voltage Nominal (V):</b>	230
<b>Line Frequency (Hz):</b>	50, 60
<b>Power LED (W):</b>	27,2
<b>Max. Power Luminaire (W):</b>	31
<b>Max. System Power (W):</b>	31
<b>Max. Efficiency Luminaire (lm/W):</b>	97
<b>Max. Efficiency System (lm/W):</b>	97
<b>Containing light source energy efficiency class (EU) 2019/2015: F</b>	

## OPERATION AND CONNECTION

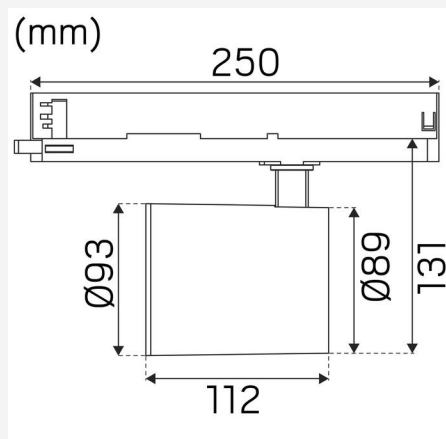
<b>Dimmable:</b>	Yes
<b>Type of Dimming:</b>	Trailing Edge
<b>Driver Included:</b>	Yes - replaceable
<b>Driver Model:</b>	Constant Current
<b>Driver Type:</b>	Built-in
<b>Connection (type):</b>	3-phase universal adapter
<b>Power Factor <math>\lambda</math>:</b>	0,92
<b>Efficiency (%):</b>	86
<b>Power loss (W):</b>	4,34
<b>Leakage current (mA) (at 230 V, 50 Hz, full load):</b>	0,25
<b>THD (%):</b>	20
<b>Constant Current (mA):</b>	800
<b>Min. Ta (°C):</b>	-20
<b>Max. Ta (°C):</b>	35
<b>Max. Tc (°C):</b>	85
<b>Dimming secondary side:</b>	AM
<b>Suitable for random switching:</b>	Yes
<b>Inrush current (max/time):</b>	30A 500 $\mu$ s
<b>Mains surge protection DM (kV):</b>	2
<b>Fuse B10 (pcs):</b>	10
<b>Fuse B16 (pcs):</b>	16
<b>Fuse C10 (pcs):</b>	16
<b>Fuse C16 (pcs):</b>	26

## COLOR AND MATERIAL

<b>Material:</b>	Aluminium
<b>Color:</b>	Black
<b>Environmental Assessment:</b>	Byggvarubedömningen
<b>SCIP:</b>	55eb7e0c-2d7f-4eb8-a2f5-6cc230414122

## MEASUREMENT AND INSTALLATION

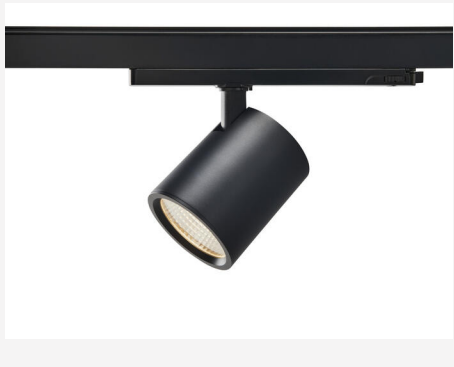
<b>Operating Environment:</b>	Indoor / dry locations
<b>IP Degree of Protection:</b>	20
<b>Protection Class:</b>	II
<b>Installation:</b>	Light-track mounting
<b>Mounting Installation:</b>	3-phase Universal Adapter
<b>Approval Marks:</b>	CE, a Hide-a-lite Choice
<b>Filament Test IEC 695-2-1(°C):</b>	650
<b>Length (mm):</b>	250
<b>Height (mm):</b>	172
<b>Diameter (mm):</b>	93
<b>Weight (kg):</b>	0,9



15° 4000K

m	Ø (m)	Lux Emed/Emax
1m	0.4	10080/13930
3m	1.1	1120/1550
6m	2.2	260/400
8m	3.0	140/210
10m	3.7	90/140

13950cd



We focus on sustainability using recycled material for creating innovative luminaires, as well as replaceable LEDs and drivers.

Luminaires built for the future!