



## OPTIC TRACK XXS 3-PHASE 36° BLACK

Dimmable tracklights with replaceable LED and driver – built for the future. With reflector technology, high luminous efficacy is ensured with distinct and clear light distribution – perfect as accent lighting when you want to direct the light onto what you want to highlight, but also as general lighting in both private and public environments. Low-build universal adapter for 3-phase track. For improved glare reduction, the Honeycomb accessory can be added to the luminaire. You can easily replace the reflector with a lens accessory to adjust the light distribution as needed (XS, XXS). Suitable for most 3-phase track systems, e.g. Global Trac, (Erco for phase dimming).

### DESCRIPTION

<b>GTIN:</b>	7392971151403
<b>Item Name:</b>	Optic Track XXS 3-phase 36° Black
<b>Warranty:</b>	5 years

## LIGHT TECHNICAL DATA

<b>Max. Luminaire Lumen (lm):</b>	390
<b>Light Source:</b>	LED
<b>Light Source Included:</b>	Yes
<b>Replaceability:</b>	Replaceable LED by professional, Replaceable Control gear by professional
<b>LED Colour:</b>	Warm White
<b>Colour Temperature (K):</b>	2700, 3000
<b>Colour Rendering Index (Ra):</b>	>90
<b>Colour Consistency (SDCM):</b>	3
<b>Luminous Intensity (cd):</b>	1000
<b>Beam Angle (°):</b>	36
<b>Light sharing:</b>	Symmetric
<b>Light Outlet:</b>	Direct
<b>Number of Lamps (pcs):</b>	1
<b>Number of LED (pcs):</b>	1
<b>Life Time:</b>	L80 100000h Ta 25°C
<b>Nominal Life Time (h):</b>	100000
<b>Lumen maintenance 50 000h:</b>	L90
<b>Lumen maintenance 75 000h:</b>	L84
<b>Lumen maintenance 100 000h:</b>	L81
<b>LLMF @ 50 000h:</b>	0.9
<b>LLMF @ 100 000h:</b>	0.81
<b>Life Time Driver:</b>	100 000h/8%
<b>Flicker (PstLM):</b>	0,036
<b>Stroboscopic effect (SVM):</b>	0,176

## TECHNICAL DATA

<b>Adjustable:</b>	Yes
<b>Tilttable (°):</b>	90
<b>Rotatable (°):</b>	360
<b>Voltage (type):</b>	AC
<b>Voltage Interval (V):</b>	220...240V
<b>Voltage Nominal (V):</b>	230
<b>Line Frequency (Hz):</b>	50
<b>Power LED (W):</b>	4
<b>Max. Power Luminaire (W):</b>	5,4
<b>Max. System Power (W):</b>	5,4
<b>Max. Efficiency Luminaire (lm/W):</b>	72,2
<b>Max. Efficiency System (lm/W):</b>	72,2
<b>Containing light source energy efficiency class (EU) 2019/2015:</b>	F
<b>Eprel registration number:</b>	2257933

## OPERATION AND CONNECTION

<b>Dimmable:</b>	Yes
<b>Type of Dimming:</b>	Trailing Edge
<b>Driver Included:</b>	Yes - replaceable
<b>Driver Model:</b>	Constant Current
<b>Driver Type:</b>	Built-in
<b>Driver Manufacturer:</b>	Hide-a-lite
<b>Connection (type):</b>	3-phase universal adapter
<b>Power Factor <math>\lambda</math>:</b>	0,9
<b>Efficiency (%):</b>	75
<b>Power loss (W):</b>	1,4
<b>Leakage current (mA) (at 230 V, 50 Hz, full load):</b>	0,05
<b>THD (%):</b>	20
<b>Constant Current (mA):</b>	110
<b>Min. Ta (°C):</b>	-20
<b>Max. Ta (°C):</b>	40
<b>Max. Tc (°C):</b>	85
<b>Dimming secondary side:</b>	AM
<b>Protection Against:</b>	Short Circuit, Overheating 120°C, Overload
<b>Inrush current (max/time):</b>	2,8A 42 $\mu$ s
<b>Mains surge protection DM (kV):</b>	1
<b>Mains surge protection CM (kV):</b>	2
<b>Fuse B10 (pcs):</b>	80
<b>Fuse B16 (pcs):</b>	130
<b>Fuse C10 (pcs):</b>	135
<b>Fuse C16 (pcs):</b>	215

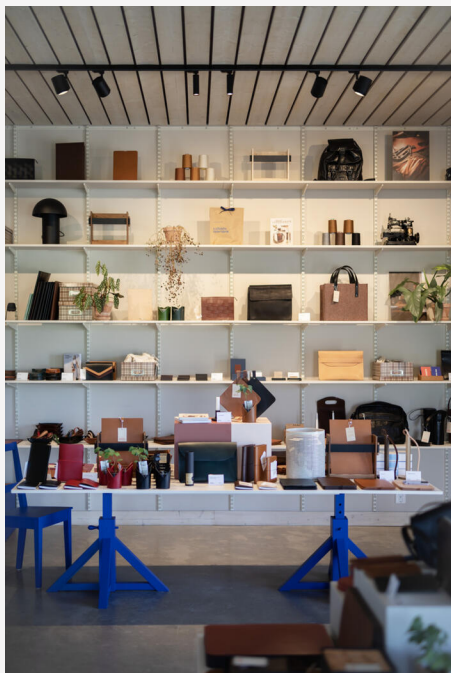
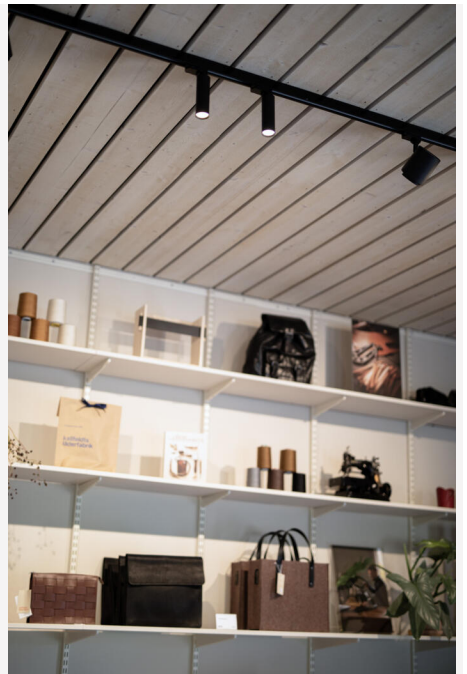
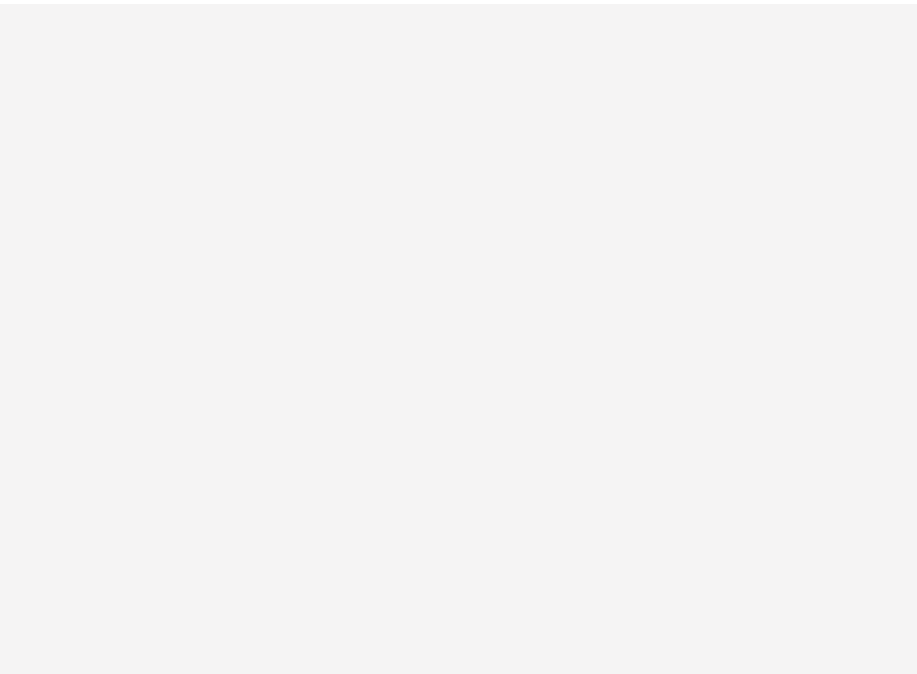
## COLOR AND MATERIAL

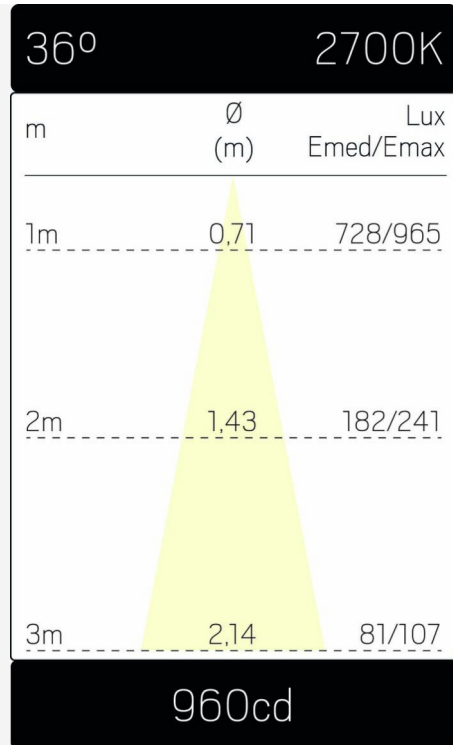
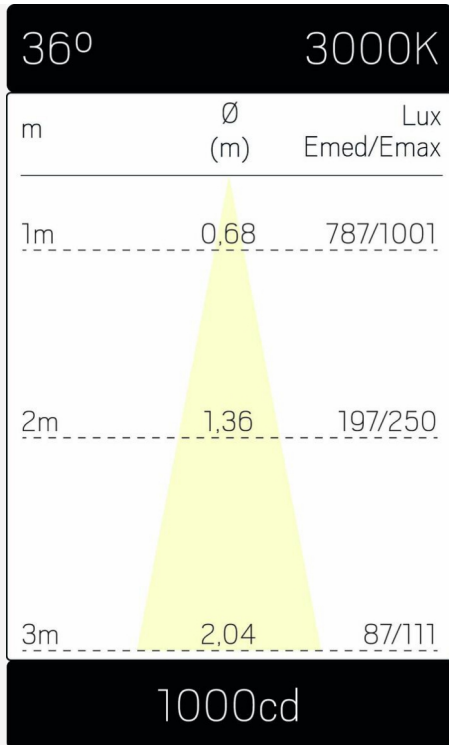
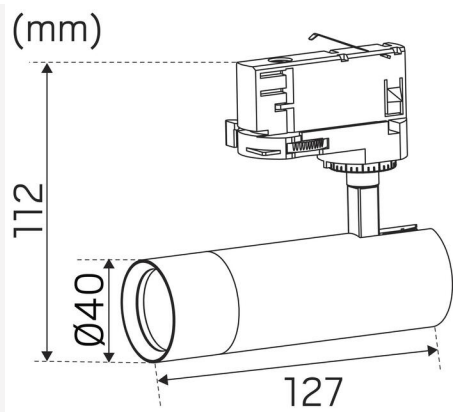
<b>Material:</b>	Aluminium
<b>Color:</b>	Black

## MEASUREMENT AND INSTALLATION

<b>Operating Environment:</b>	Indoor / dry locations
<b>IP Degree of Protection:</b>	20
<b>Protection Class:</b>	I
<b>Installation:</b>	Light-track mounting
<b>Mounting Installation:</b>	3-phase Universal Adapter
<b>Approval Marks:</b>	CE, a Hide-a-lite Choice
<b>Filament Test IEC 695-2-1(°C):</b>	650
<b>Length (mm):</b>	127
<b>Height (mm):</b>	112
<b>Diameter (mm):</b>	40
<b>Weight (kg):</b>	0,19







**hideolite**  
choice

We focus on sustainability using recycled material for creating innovative luminaires, as well as replaceable LEDs and drivers.

Luminaires built for the future!