



OPTIC TRACK XS 3-PHASE 36° WHITE TUNE

Dimmable tracklights with replaceable LED and driver – built for the future. With reflector technology, high luminous efficacy is ensured with distinct and clear light distribution – perfect as accent lighting when you want to direct the light onto what you want to highlight, but also as general lighting in both private and public environments. Low-build universal adapter for 3-phase track. For improved glare reduction, the Honeycomb accessory can be added to the luminaire. You can easily replace the reflector with a lens accessory to adjust the light distribution as needed (XS, XXS). Suitable for most 3-phase track systems, e.g. Global Trac, (Erco for phase dimming).

DESCRIPTION

GTIN:	7392971151410
Item Name:	Optic Track XS 3-phase 36° White Tune
Warranty:	5 years

LIGHT TECHNICAL DATA

Max. Luminaire Lumen (lm):	680
Light Source:	LED
Light Source Included:	Yes
Replaceability:	Replaceable LED by professional, Replaceable Control gear by professional
LED Colour:	Warm White
Colour Temperature (K):	3000
Range Colour Temperature (K):	Tune 2000-3000
Colour Rendering Index (Ra):	>95
Colour Consistency (SDCM):	3
Luminous Intensity (cd):	1900
Beam Angle (°):	36
Light sharing:	Symmetric
Light Outlet:	Direct
Number of Lamps (pcs):	1
Number of LED (pcs):	1
Life Time:	h Ta °C
Nominal Life Time (h):	100000
Lumen maintenance 50 000h:	L91
Lumen maintenance 75 000h:	L83
Lumen maintenance 100 000h:	L82
LLMF @ 50 000h:	0.91
LLMF @ 100 000h:	0.82
Life Time Driver:	100 000h/8%
Flicker (PstLM):	0,01
Stroboscopic effect (SVM):	0,01

TECHNICAL DATA

Adjustable:	Yes
Tiltable (°):	90
Rotatable (°):	360
Voltage (type):	AC
Voltage Interval (V):	220...240V
Voltage Nominal (V):	230
Line Frequency (Hz):	50
Power LED (W):	7,7
Max. Power Luminaire (W):	9,3
Max. System Power (W):	9,3
Max. Efficiency Luminaire (lm/W):	76
Max. Efficiency System (lm/W):	76
Containing light source energy efficiency class (EU) 2019/2015: F	

OPERATION AND CONNECTION

Dimmable:	Yes
Type of Dimming:	Trailing Edge
Driver Included:	Yes - replaceable
Driver Model:	Constant Current
Driver Type:	Built-in
Driver Manufacturer:	Hide-a-lite
Connection (type):	3-phase universal adapter
Power Factor λ:	0,9
Efficiency (%):	83
Power loss (W):	1,6
Leakage current (mA) (at 230 V, 50 Hz, full load):	0,05
THD (%):	16
Constant Current (mA):	220
Min. Ta (°C):	-20
Max. Ta (°C):	40
Max. Tc (°C):	85
Dimming secondary side:	AM
Protection Against:	Short Circuit, Overheating 120°C, Overload
Inrush current (max/time):	3A 42 μ s
Mains surge protection DM (kV):	1
Mains surge protection CM (kV):	2
Fuse B10 (pcs):	46
Fuse B16 (pcs):	75
Fuse C10 (pcs):	75
Fuse C16 (pcs):	125

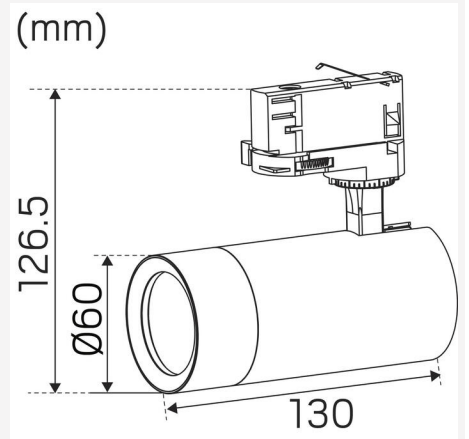
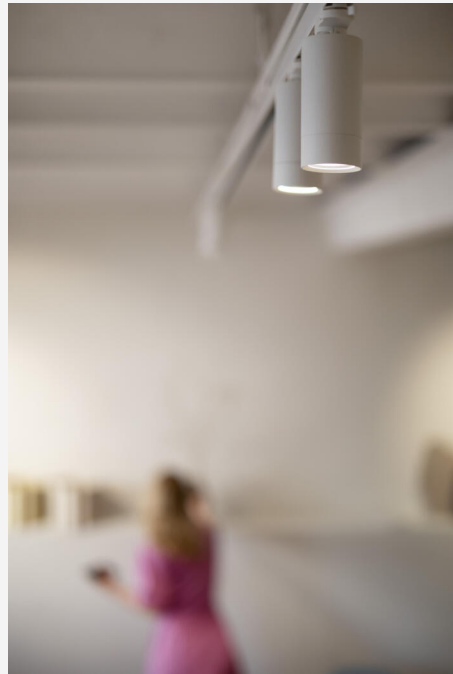
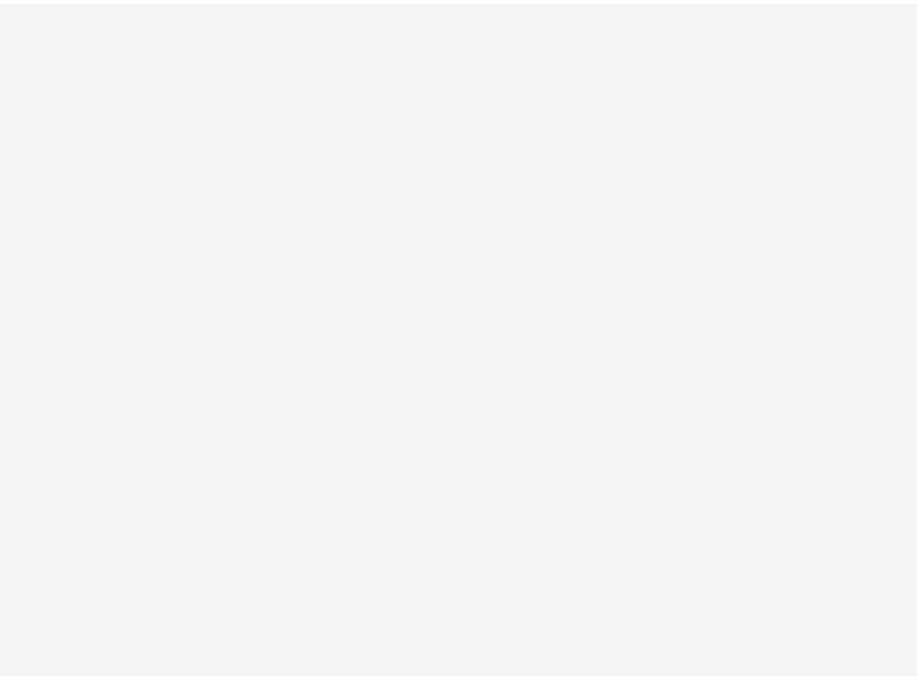
COLOR AND MATERIAL

Material:	Aluminium
Color:	White

MEASUREMENT AND INSTALLATION

Operating Environment:	Indoor / dry locations
IP Degree of Protection:	20
Protection Class:	I
Installation:	Light-track mounting
Mounting Installation:	3-phase Universal Adapter
Approval Marks:	CE, a Hide-a-lite Choice
Filament Test IEC 695-2-1(°C):	650
Length (mm):	130
Height (mm):	127
Diameter (mm):	60
Weight (kg):	0,39





36° 2000-3000K

m	∅ (m)	Lux Emed/Emax
1m	0,65	1413/1907
2m	1,31	353/477
3m	1,97	157/211
4m	2,64	88/120

1900cd



hide a lite
choice

We focus on sustainability using recycled material for creating innovative luminaires, as well as replaceable LEDs and drivers.

Luminaires built for the future!