

SOLO MAXI G2 WHITE 3000K

Solo Maxi G2 is a large downlight with a wide range of applications areas for indoor and outdoor usage. IP54 rating with clear cover glass. Both for private and public environment where more light is required, e.g. rooms with high ceilings and corridors, shops and outdoor entrance ceilings. Reflector technology with light situated high in the luminaire to give a highly glare-free appearance. Comes complete with drivers IP20 for DALI or On/Off. Can be supplied with Q-Box Mini or Linect. Lumen output can be adjusted via DIP-switch Power.

DESCRIPTION

GTIN:	7392971135144
Item Name:	Solo Maxi G2 White 3000K
Warranty:	5 years

LIGHT TECHNICAL DATA

Max. Luminaire Lumen (lm):	1750
Light Source:	LED
Light Source Included:	Yes
Replaceability:	Non-replaceable LED, Replaceable Control gear by professional
LED Colour:	Warm White
Colour Temperature (K):	3000
Colour Rendering Index (Ra):	>82
Colour Consistency (SDCM):	3
Luminous Intensity (cd):	3910
Beam Angle (°):	34
Light sharing:	Symmetric
Light Outlet:	Direct
Number of Lamps (pcs):	1
Number of LED (pcs):	1
Life Time:	h Ta °C
Nominal Life Time (h):	100000
Lumen maintenance 50 000h:	L92
Lumen maintenance 100 000h:	L87
LLMF @ 50 000h:	0.92
LLMF @ 100 000h:	0.87
Life Time Driver:	50 000h/10%
Flicker (PstLM):	1
Stroboscopic effect (SVM):	0,4

TECHNICAL DATA

Voltage (type):	AC
Voltage Interval (V):	220...240V
Voltage Nominal (V):	230
Line Frequency (Hz):	50, 60
Power LED (W):	21
Max. Power Luminaire (W):	22
Max. System Power (W):	22
Max. Efficiency Luminaire (lm/W):	80
Max. Efficiency System (lm/W):	80

Containing light source energy efficiency class (EU) 2019/2015: C

OPERATION AND CONNECTION

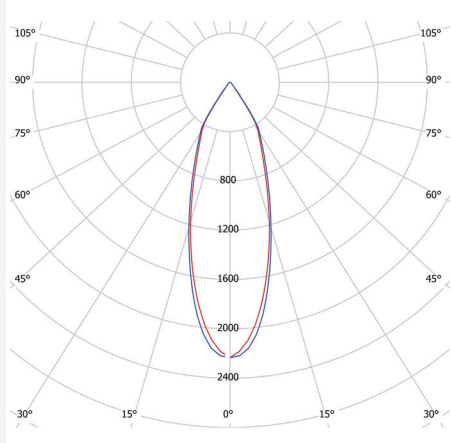
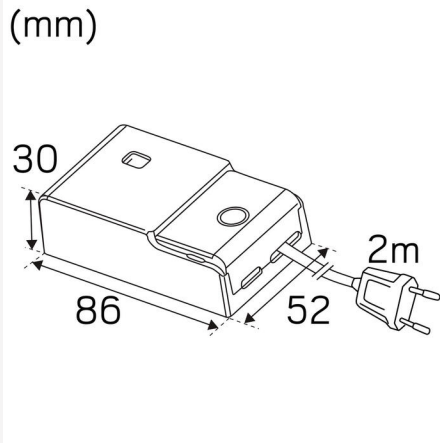
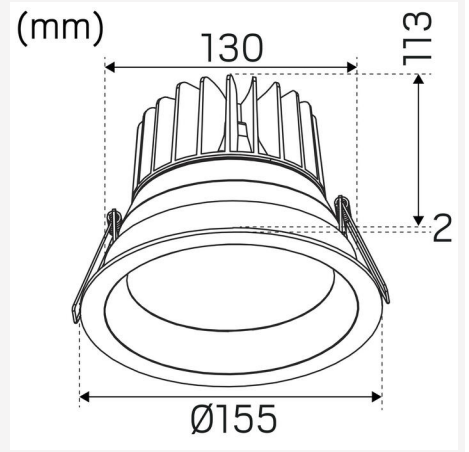
Dimmable:	No
Type of Dimming:	OnOff, DIP-Switch Power
Driver Included:	Yes
Driver Model:	Constant Current
Driver Type:	Stand Alone
Connection (type):	Cord Set
Length Connection (cm):	250
Connection (mm ²):	3x0,75
Strain Relief:	Yes
Power Factor λ :	0,9
Constant Current (mA):	250, 350, 450, 550
Min. Ta (°C):	-25
Max. Ta (°C):	50
Max. Tc (°C):	80
Protection Against:	Short Circuit, Overheating 130°C
Inrush current (max/time):	20A 36 μ s
Mains surge protection DM (kV):	1
Mains surge protection CM (kV):	2
Fuse B10 (pcs):	40
Fuse B16 (pcs):	65
Fuse C10 (pcs):	47
Fuse C16 (pcs):	75

COLOR AND MATERIAL

Material:	Aluminium
Color:	White
Environmental Assessment:	Byggvarubedömningen

MEASUREMENT AND INSTALLATION

Operating Environment:	Indoor / wet locations, Outdoor
IP Degree of Protection:	54
Protection Class:	I
Installation:	Built-in
Mounting Installation:	Mounting Spring
Ceiling Thickness Interval (mm):	5-45mm
Fire Safety Marks:	Not in insulation without protection cover
Approval Marks:	CE, SELV
Filament Test IEC 695-2-1(°C):	850
Height (mm):	115
Diameter (mm):	155
Weight (kg):	0,936
Min. Built-in (mm):	250x250x140
Height Recessed Part (mm):	112
Height Exterior Part (mm):	3
Built-in \emptyset (mm):	130-142mm



Solo Maxi G2 on/off

mA	1	2	3	Watt	Lumen
250mA	-	-	-	10W	1030lm
350mA	-	ON	-	14W	1420lm
450mA*	ON	-	-	18W	1750lm
550mA	ON	ON	-	22W	2080lm

* Factory setting

DIP SWITCH POWER

ON ↓

1 2 3

Max 550mA

