

ECHO M 170 WHITE

Flexible luminaire with reflector technology and a high-positioned light source for very good anti-glare properties. All-round luminaire for public environments where more light is needed, e.g. rooms with high ceilings. For new installations or replacement of old compact fluorescent lamp fixtures for a much more energy-efficient installation. Adjustable lumen output and selectable colour temperature via DIP switch, 3000K, 4000K and 5700K. Complete with driver for phase dimming or DALI 2, with push-in terminals and screwless strain relief. Cover ring available as an accessory. Can be supplied with Q-Box Mini or Linect.

DESCRIPTION

| | |
|-------------------|------------------|
| GTIN: | 7392971141305 |
| Item Name: | Echo M 170 White |
| Warranty: | 5 years |

LIGHT TECHNICAL DATA

| | |
|-------------------------------------|---|
| Max. Luminaire Lumen (lm): | 1870 |
| Light Source: | LED |
| Light Source Included: | Yes |
| Replaceability: | Replaceable LED by professional, Replaceable Control gear by professional |
| LED Colour: | White |
| Colour Temperature (K): | 3000, 4000, 5700 |
| Colour Rendering Index (Ra): | >80 |
| Colour Consistency (SDCM): | 3 |
| Luminous Intensity (cd): | 1080 |
| Beam Angle (°): | 85 |
| Light sharing: | Symmetric |
| Light Outlet: | Direct |
| Number of Lamps (pcs): | 1 |
| Number of LED (pcs): | 120 |
| Life Time: | h Ta °C |
| Nominal Life Time (h): | 50000 |
| Lumen maintenance 50 000h: | L80 |
| Lumen maintenance 75 000h: | L71 |
| LLMF @ 50 000h: | 0.8 |
| Life Time Driver: | 50 000h/10% |
| Flicker (PstLM): | 0,006 |
| Stroboscopic effect (SVM): | 0,055 |

TECHNICAL DATA

| | |
|-----------------------------------|------------|
| Voltage (type): | AC |
| Voltage Interval (V): | 220...240V |
| Voltage Nominal (V): | 230 |
| Line Frequency (Hz): | 50, 60 |
| Power LED (W): | 16 |
| Max. Power Luminaire (W): | 20 |
| Max. System Power (W): | 20 |
| Max. Efficiency Luminaire (lm/W): | 94 |
| Max. Efficiency System (lm/W): | 94 |

Containing light source energy efficiency class (EU) 2019/2015: E

OPERATION AND CONNECTION

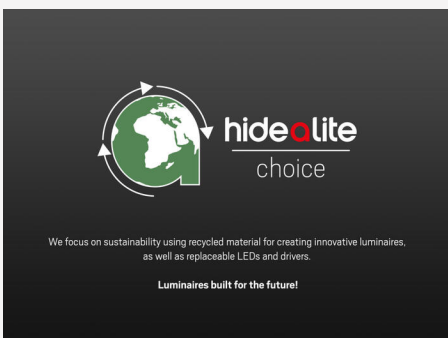
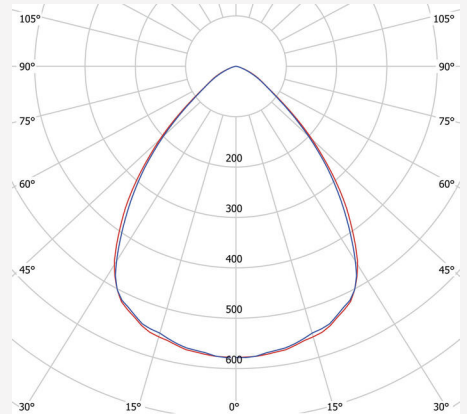
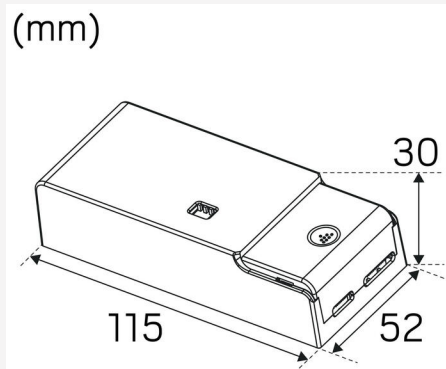
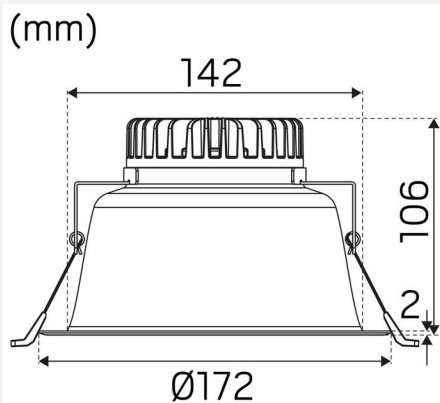
| | |
|--|---|
| Dimmable: | Yes |
| Type of Dimming: | DIP-Switch Power, Trailing Edge, Leading Edge |
| Driver Included: | Yes |
| Driver Model: | Constant Current |
| Driver Type: | Stand Alone |
| Driver Manufacturer: | Hide-a-lite |
| Connection (type): | Quick Terminal |
| Connection (mm2): | 4x0,5-2,5 |
| Through Wiring: | Yes |
| Strain Relief: | Yes |
| Power Factor λ : | 0,9 |
| Efficiency (%): | 82 |
| Power loss (W): | 3,5 |
| Leakage current (mA) (at 230 V, 50 Hz, full load): | 0,5 |
| Constant Current (mA): | 300, 400, 500 |
| Min. Ta (°C): | -20 |
| Max. Ta (°C): | 40 |
| Max. Tc (°C): | 85 |
| Dimming secondary side: | AM |
| Suitable for random switching: | Yes |
| Inrush current (max/time): | 2,6A 50 μ s |
| Mains surge protection DM (kV): | 1 |
| Mains surge protection CM (kV): | 2 |
| Fuse B10 (pcs): | 33 |
| Fuse B16 (pcs): | 52 |
| Fuse C10 (pcs): | 55 |
| Fuse C16 (pcs): | 88 |

COLOR AND MATERIAL

| | |
|-----------------------------|---------------------|
| Material: | Aluminium |
| Color: | White |
| Environmental Assessment: | Byggvarubedömningen |
| Available in special color: | Yes |

MEASUREMENT AND INSTALLATION

| | |
|---|--|
| Operating Environment: | Indoor / wet locations, Outdoor |
| IP Degree of Protection: | 44 |
| Protection Class: | II |
| Installation: | Built-in |
| Mounting Installation: | Mounting Spring |
| Ceiling Thickness Interval (mm): | 5-40mm |
| Fire Safety Marks: | Not in insulation without protection cover |
| Approval Marks: | CE, a Hide-a-lite Choice |
| Filament Test IEC 695-2-1(°C): | 650 |
| Height (mm): | 106 |
| Diameter (mm): | 172 |
| Weight (kg): | 0,74 |
| Min. Built-in (mm): | 400x300x115 |
| Height Recessed Part (mm): | 104 |
| Height Exterior Part (mm): | 2 |
| Built-in Ø (mm): | 144-158mm |



Echo M Fdim - DIP DIM

| mA | Effekt | 3000K | 4000K | 5700K |
|-------|--------|---------|---------|---------|
| 500mA | 20W | 1780 lm | 1870 lm | 1830 lm |
| 400mA | 16W | 1470 lm | 1550 lm | 1500 lm |
| 300mA | 12W | 1110 lm | 1160 lm | 1130 lm |