



## ECHO S 215 WHITE DALI

Instead of replacing with cover rings, choose a complete luminaire in the size you need. Echo is a large product family for holes from 103-300mm. Dimmable all-round luminaire for public environments that need a lot of light, such as in rooms with high ceilings, corridors or shops. Perfect for new installations and to replace compact fluorescent tube luminaires. Selectable colour temperature via DIP switch. Echo M and Echo L have adjustable lumen output via DIP-switch. Comes complete with driver for phase dimming or DALI-2. DALI-2 comes with Q-box Micro, push-in terminals and screwless strain relief. Dimmable with most common dimmers on the market.

### DESCRIPTION

<b>GTIN:</b>	7392971148205
<b>Item Name:</b>	Echo S 215 White DALI
<b>Warranty:</b>	5 years

### LIGHT TECHNICAL DATA

<b>Max. Luminaire Lumen (lm):</b>	1150
<b>Light Source:</b>	LED
<b>Light Source Included:</b>	Yes
<b>Replaceability:</b>	Replaceable LED by professional, Replaceable Control gear by professional
<b>LED Colour:</b>	White
<b>Colour Temperature (K):</b>	3000, 4000, 5700
<b>Colour Rendering Index (Ra):</b>	>80
<b>Colour Consistency (SDCM):</b>	3
<b>Luminous Intensity (cd):</b>	720
<b>Beam Angle (°):</b>	80
<b>Light sharing:</b>	Symmetric
<b>Light Outlet:</b>	Direct
<b>Number of Lamps (pcs):</b>	1
<b>Number of LED (pcs):</b>	96
<b>Life Time:</b>	L80 50000h Ta 25°C
<b>Nominal Life Time (h):</b>	50000
<b>Lumen maintenance 50 000h:</b>	L81
<b>Lumen maintenance 75 000h:</b>	L73
<b>LLMF @ 50 000h:</b>	0.81
<b>Life Time Driver:</b>	50 000h/10%
<b>Flicker (PstLM):</b>	0,044
<b>Stroboscopic effect (SVM):</b>	0,009

## TECHNICAL DATA

Voltage (type):	AC
Voltage Interval (V):	220...240V
Voltage Nominal (V):	230
Line Frequency (Hz):	50, 60
Power LED (W):	12
Max. Power Luminaire (W):	14
Max. System Power (W):	14
Max. Efficiency Luminaire (lm/W):	82,1
Max. Efficiency System (lm/W):	82,1

Containing light source energy efficiency class (EU) 2019/2015: E

## OPERATION AND CONNECTION

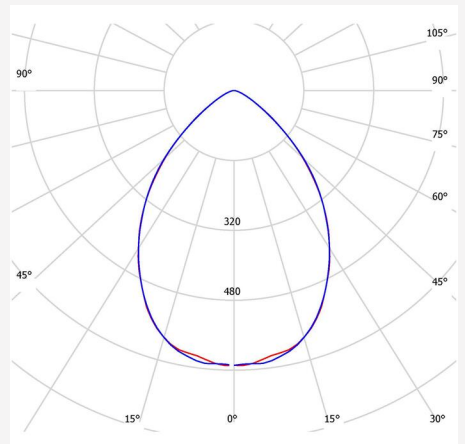
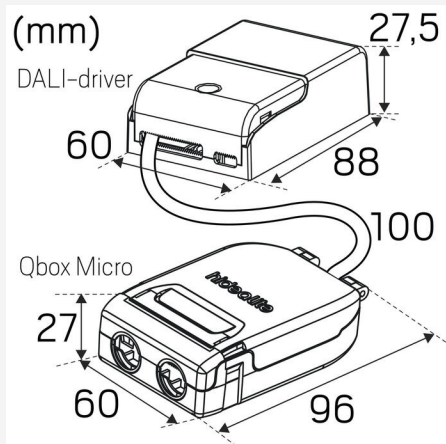
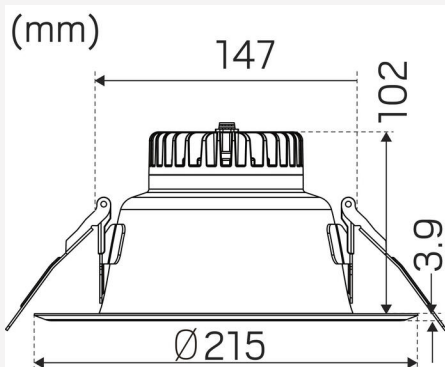
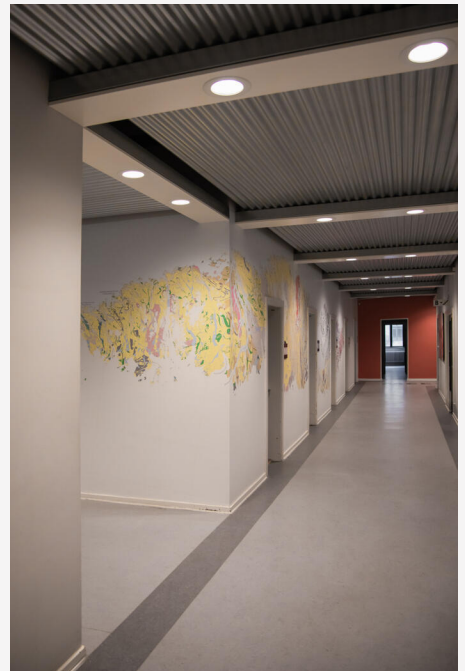
Dimmable:	Yes
Type of Dimming:	Push 230V, DALI 2
Driver Included:	Yes
Driver Model:	Constant Current
Driver Type:	Stand Alone
Driver Manufacturer:	Hide-a-lite
Connection (type):	Quick Terminal
Connection (mm <sup>2</sup> ):	4x0,5-2,5
Through Wiring:	Yes
Strain Relief:	Yes
Power Factor $\lambda$ :	0,9
Efficiency (%):	83
Power loss (W):	2,5
Leakage current (mA) (at 230 V, 50 Hz, full load):	0,5
Constant Current (mA):	350
Min. Ta (°C):	-20
Max. Ta (°C):	40
Max. Tc (°C):	85
Dimming secondary side:	AM
Suitable for random switching:	Yes
Memory Function Power Failure:	Yes
Inrush current (max/time):	6,6A 32 $\mu$ s
Mains surge protection DM (kV):	0,5
Mains surge protection CM (kV):	1
Fuse B10 (pcs):	40
Fuse B16 (pcs):	64
Fuse C10 (pcs):	68
Fuse C16 (pcs):	108

## COLOR AND MATERIAL

Material:	Aluminium
Color:	White
Environmental Assessment:	Byggvarubedömningen
Available in special color:	Yes

## MEASUREMENT AND INSTALLATION

<b>Operating Environment:</b>	Indoor / wet locations, Outdoor
<b>IP Degree of Protection:</b>	44
<b>Protection Class:</b>	II
<b>Installation:</b>	Built-in
<b>Mounting Installation:</b>	Mounting Spring
<b>Ceiling Thickness Interval (mm):</b>	5-40mm
<b>Fire Safety Marks:</b>	Not in insulation without protection cover
<b>Approval Marks:</b>	CE, a Hide-a-lite Choice
<b>Filament Test IEC 695-2-1(°C):</b>	650
<b>Height (mm):</b>	84
<b>Diameter (mm):</b>	215
<b>Weight (kg):</b>	0,82
<b>Height Recessed Part (mm):</b>	102
<b>Height Exterior Part (mm):</b>	4
<b>Built-in Ø (mm):</b>	150-200mm





hideolite  
choice

We focus on sustainability using recycled material for creating innovative luminaires,  
as well as replaceable LEDs and drivers.

Luminaires built for the future!

