



## ECHO L 265 WHITE DALI

Flexible luminaire with reflector technology and a high-positioned light source for very good anti-glare properties. All-round luminaire for public environments where more light is needed, e.g. rooms with high ceilings. For new installations or replacement of old compact fluorescent lamp fixtures for a much more energy-efficient installation. Adjustable lumen output and selectable colour temperature via DIP switch, 3000K, 4000K and 5700K. Complete with driver for phase dimming or DALI 2, with push-in terminals and screwless strain relief. Cover ring available as an accessory. Can be supplied with Q-Box Mini or Linect.

### DESCRIPTION

<b>GTIN:</b>	7392971148281
<b>Item Name:</b>	Echo L 265 White DALI
<b>Warranty:</b>	5 years

### LIGHT TECHNICAL DATA

<b>Max. Luminaire Lumen (lm):</b>	3160
<b>Light Source:</b>	LED
<b>Light Source Included:</b>	Yes
<b>Replaceability:</b>	Replaceable LED by professional, Replaceable Control gear by professional
<b>LED Colour:</b>	White
<b>Colour Temperature (K):</b>	3000, 4000, 5700
<b>Colour Rendering Index (Ra):</b>	>80
<b>Colour Consistency (SDCM):</b>	3
<b>Luminous Intensity (cd):</b>	1720
<b>Beam Angle (°):</b>	90
<b>Light sharing:</b>	Symmetric
<b>Light Outlet:</b>	Direct
<b>Number of Lamps (pcs):</b>	1
<b>Number of LED (pcs):</b>	192
<b>Life Time:</b>	L80 50000h Ta 25°C
<b>Nominal Life Time (h):</b>	50000
<b>Lumen maintenance 50 000h:</b>	L81
<b>Lumen maintenance 75 000h:</b>	L73
<b>LLMF @ 50 000h:</b>	0.81
<b>Life Time Driver:</b>	50 000h/10%
<b>Flicker (PstLM):</b>	0,004
<b>Stroboscopic effect (SVM):</b>	0,007

## TECHNICAL DATA

Voltage (type):	AC
Voltage Interval (V):	220...240V
Voltage Nominal (V):	230
Line Frequency (Hz):	50, 60
Power LED (W):	26
Max. Power Luminaire (W):	30
Max. System Power (W):	30
Max. Efficiency Luminaire (lm/W):	105,3
Max. Efficiency System (lm/W):	105,3

Containing light source energy efficiency class (EU) 2019/2015: E

## OPERATION AND CONNECTION

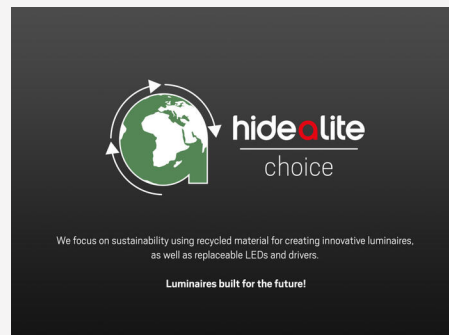
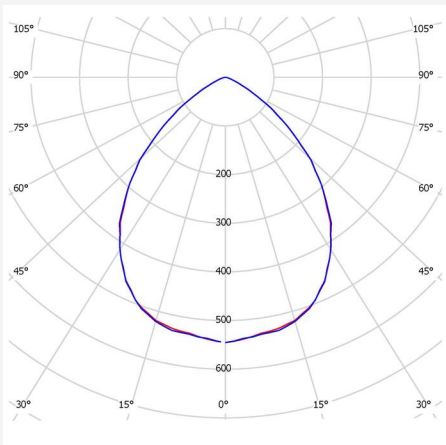
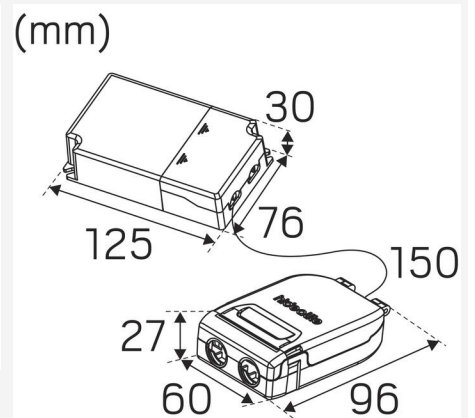
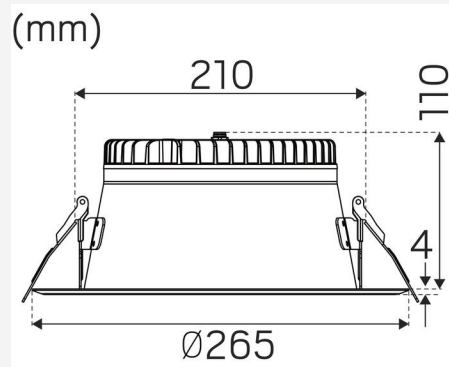
Dimmable:	Yes
Type of Dimming:	DIP-Switch Power, Push 230V, 1-10V, DALI 2
Driver Included:	Yes
Driver Model:	Constant Current
Driver Type:	Stand Alone
Driver Manufacturer:	Hide-a-lite
Connection (type):	Quick Terminal
Connection (mm2):	5x0,5-1,5
Through Wiring:	Yes
Strain Relief:	Yes
Power Factor $\lambda$ :	0,9
Efficiency (%):	83
Power loss (W):	5
Leakage current (mA) (at 230 V, 50 Hz, full load):	0,5
Standby Power:	0,5
Constant Current (mA):	650, 700, 750, 800
Min. Ta (°C):	-20
Max. Ta (°C):	40
Max. Tc (°C):	85
Dimming secondary side:	AM
Suitable for random switching:	Yes
Memory Function Power Failure:	Yes
Inrush current (max/time):	5,76A 120 $\mu$ s
Mains surge protection DM (kV):	1
Mains surge protection CM (kV):	2
Fuse B10 (pcs):	17
Fuse B16 (pcs):	27
Fuse C10 (pcs):	29
Fuse C16 (pcs):	46

## COLOR AND MATERIAL

Material:	Aluminium
Color:	White
Environmental Assessment:	Byggvarubedömningen
Available in special color:	Yes

## MEASUREMENT AND INSTALLATION

<b>Operating Environment:</b>	Indoor / wet locations, Outdoor
<b>IP Degree of Protection:</b>	44
<b>Protection Class:</b>	II
<b>Installation:</b>	Built-in
<b>Mounting Installation:</b>	Mounting Spring
<b>Ceiling Thickness Interval (mm):</b>	5-40mm
<b>Fire Safety Marks:</b>	Not in insulation without protection cover
<b>Approval Marks:</b>	CE, a Hide-a-lite Choice
<b>Filament Test IEC 695-2-1(°C):</b>	650
<b>Height (mm):</b>	109
<b>Diameter (mm):</b>	265
<b>Weight (kg):</b>	1,35
<b>Height Recessed Part (mm):</b>	110
<b>Height Exterior Part (mm):</b>	4
<b>Built-in Ø (mm):</b>	210-250mm



### Echo L DALI - DIP DIM

mA	Effekt	3000K	4000K	5700K
800mA	34W	2990 lm	3160 lm	3070 lm
750mA	32W	2850 lm	2990 lm	2900 lm
700mA	29W	2670 lm	2820 lm	2740 lm
650mA	27W	2490 lm	2610 lm	2540 lm

