



## INLINE SPORT IP23 XXL ASYM 840

Sports luminaire with asymmetric light distribution optimal e.g. in padel halls. Push-in terminals at both sides for installation without opening the luminaire. Controlled via On/Off or DALI/Push. On/Off can be adjusted to a lower lumen output and wattage via DIP-switch Power. DALI enables control of each luminaire. Install: on rail, ceiling, wall or wires. Meets the ball test VDE 0710-13 using accessory Protective grid, ordered separately. Adjustable ceiling and wall brackets as accessories.

### DESCRIPTION

<b>GTIN:</b>	7392971145808
<b>Item Name:</b>	Inline Sport IP23 XXL Asym 840
<b>Warranty:</b>	5 years

### LIGHT TECHNICAL DATA

<b>Max. Luminaire Lumen (lm):</b>	25400
<b>Light Source:</b>	LED
<b>Light Source Included:</b>	Yes
<b>Replaceability:</b>	Replaceable LED by professional, Replaceable Control gear by professional
<b>LED Colour:</b>	White
<b>Colour Temperature (K):</b>	4000
<b>Colour Rendering Index (Ra):</b>	>80
<b>Colour Consistency (SDCM):</b>	3
<b>Luminous Intensity (cd):</b>	16900
<b>Beam Angle (°):</b>	65
<b>Light sharing:</b>	Asymmetric
<b>Light Outlet:</b>	Medium Beam
<b>Number of Lamps (pcs):</b>	2
<b>Number of LED (pcs):</b>	264
<b>Life Time:</b>	L80 100000h Ta 25°C
<b>Nominal Life Time (h):</b>	100000
<b>Lumen maintenance 50 000h:</b>	L91
<b>Lumen maintenance 100 000h:</b>	L82
<b>LLMF @ 50 000h:</b>	0.91
<b>LLMF @ 100 000h:</b>	0.82
<b>Life Time Driver:</b>	100 000h/10%
<b>Flicker (PstLM):</b>	0,043
<b>Stroboscopic effect (SVM):</b>	0,004

## TECHNICAL DATA

Voltage (type):	AC
Voltage Interval (V):	220...240V
Voltage Nominal (V):	230
Line Frequency (Hz):	50, 60
Power LED (W):	145,4
Max. Power Luminaire (W):	150
Max. System Power (W):	150
Max. Efficiency Luminaire (lm/W):	169,3
Max. Efficiency System (lm/W):	169,3

Containing light source energy efficiency class (EU) 2019/2015: C

## OPERATION AND CONNECTION

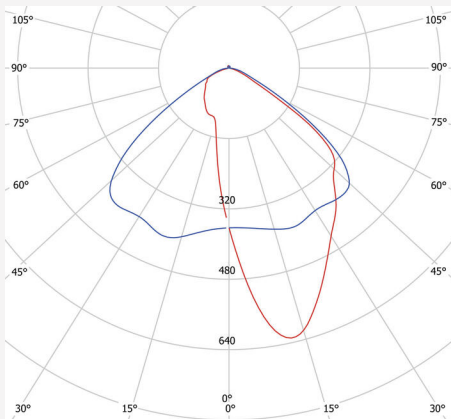
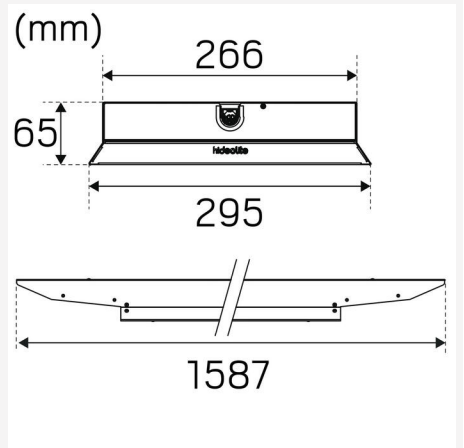
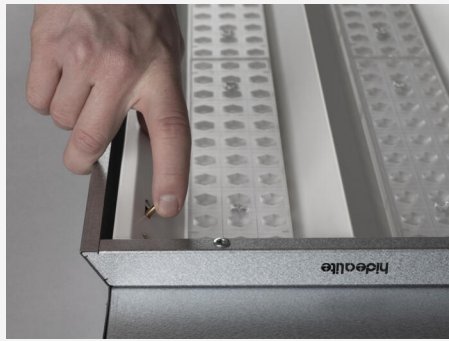
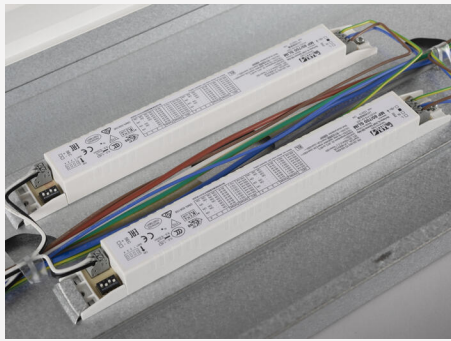
Dimmable:	No
Type of Dimming:	OnOff, DIP-Switch Power
Driver Included:	Yes
Driver Model:	Constant Current
Driver Type:	Built-in
Driver Manufacturer:	TCI
Connection (type):	Quick Terminal
Connection (mm2):	5x0,5-2,5
Through Wiring:	Yes
Strain Relief:	Yes
Power Factor $\lambda$ :	0,95
Efficiency (%):	93
Power loss (W):	6
Leakage current (mA) (at 230 V, 50 Hz, full load):	0,07
THD (%):	10
Constant Current (mA):	575, 325, 400, 500
Min. Ta (°C):	-25
Max. Ta (°C):	50
Max. Tc (°C):	85
Suitable for random switching:	Yes
Inrush current (max/time):	45A 100 $\mu$ s
Mains surge protection DM (kV):	2
Mains surge protection CM (kV):	2
Fuse B10 (pcs):	9
Fuse B16 (pcs):	14
Fuse C10 (pcs):	14
Fuse C16 (pcs):	22

## COLOR AND MATERIAL

Material:	Metal, Sheet metal, PMMA
Color:	Aluzinc
Color Cover Ring:	White
Color Code Cover Ring (RAL):	9016
Environmental Assessment:	Byggvarubedömningen

## MEASUREMENT AND INSTALLATION

Operating Environment:	Indoor / damp locations
IP Degree of Protection:	23
Protection Class:	I
Installation:	Surface mounted, Wire-cable installation
Mounting Installation:	Screw Mounting, Hook
Approval Marks:	CE, a Hide-a-lite Choice
Filament Test IEC 695-2-1(°C):	650
Length (mm):	1587
Width (mm):	295
Height (mm):	65
Weight (kg):	8,72



Indline Sport IP23 XXL		
mA	Watt	Asym
325mA	84W	15 000lm
400mA	104W	18 200lm
500mA	130W	22 200lm
575mA	150W	25 400lm

hide a lite  
choice

We focus on sustainability using recycled material for creating innovative luminaires, as well as replaceable LEDs and drivers.

Luminaires built for the future!