



INDLINE SPORT GRID IP23 XXL NARROW 840

Sports luminaires with different light distribution or asymmetric light distribution optimal e.g. in padel halls. VDE 0710-13 ball tested, comes with a pre-installed grid. Push-in terminals at both sides for installation without opening the luminaire. Controlled via On/Off or DALI/Push. On/Off can be adjusted to a lower lumen output and wattage via DIP switch DALI enables control of each luminaire. Install on rail, ceiling, wall or wires. Adjustable ceiling and wall brackets as accessories.

DESCRIPTION

GTIN:	7392971145822
Item Name:	Inline Sport Grid IP23 XXL Narrow 840
Warranty:	5 years

LIGHT TECHNICAL DATA

Max. Luminaire Lumen (lm):	22200
Light Source:	LED
Light Source Included:	Yes
Replaceability:	Replaceable LED by professional, Replaceable Control gear by professional
LED Colour:	White
Colour Temperature (K):	4000
Colour Rendering Index (Ra):	>80
Colour Consistency (SDCM):	3
Luminous Intensity (cd):	42000
Beam Angle (°):	30
Light sharing:	Symmetric
Light Outlet:	Narrow Beam
Number of Lamps (pcs):	2
Number of LED (pcs):	264
Life Time:	L80 100000h Ta 25°C
Nominal Life Time (h):	100000
Lumen maintenance 50 000h:	L91
Lumen maintenance 100 000h:	L82
LLMF @ 50 000h:	0.91
LLMF @ 100 000h:	0.82
Life Time Driver:	100 000h/10%
Flicker (PstLM):	0,043
Stroboscopic effect (SVM):	0,004

TECHNICAL DATA

Voltage (type):	AC
Voltage Interval (V):	220...240V
Voltage Nominal (V):	230
Line Frequency (Hz):	50, 60
Power LED (W):	145,4
Max. Power Luminaire (W):	150
Max. System Power (W):	150
Max. Efficiency Luminaire (lm/W):	148
Max. Efficiency System (lm/W):	148

Containing light source energy efficiency class (EU) 2019/2015: C

OPERATION AND CONNECTION

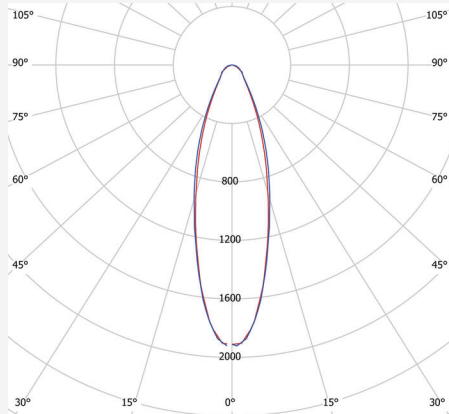
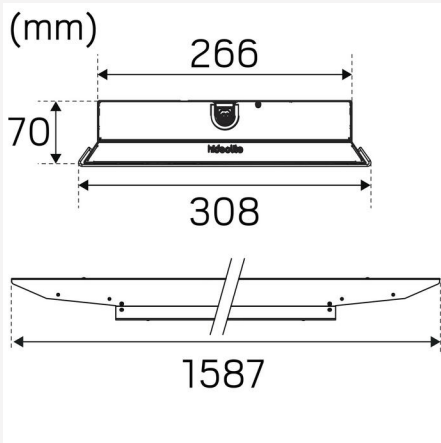
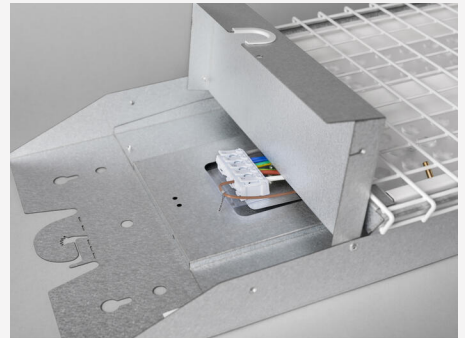
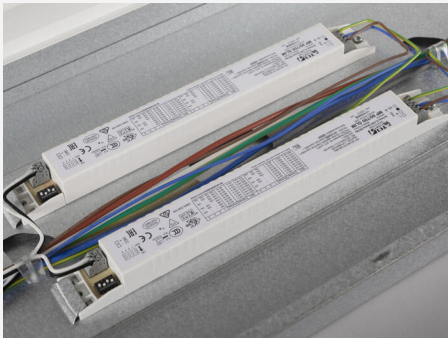
Dimmable:	No
Type of Dimming:	OnOff, DIP-Switch Power
Driver Included:	Yes
Driver Model:	Constant Current
Driver Type:	Built-in
Driver Manufacturer:	TCI
Connection (type):	Quick Terminal
Connection (mm2):	5x0,5-2,5
Through Wiring:	Yes
Strain Relief:	Yes
Power Factor λ :	0,95
Efficiency (%):	93
Power loss (W):	6
Leakage current (mA) (at 230 V, 50 Hz, full load):	0,07
THD (%):	10
Constant Current (mA):	575, 325, 400, 500
Min. Ta (°C):	-25
Max. Ta (°C):	50
Max. Tc (°C):	85
Suitable for random switching:	Yes
Inrush current (max/time):	45A 100 μ s
Mains surge protection DM (kV):	2
Mains surge protection CM (kV):	2
Fuse B10 (pcs):	9
Fuse B16 (pcs):	14
Fuse C10 (pcs):	14
Fuse C16 (pcs):	22

COLOR AND MATERIAL

Material:	Metal, Sheet metal, PMMA
Color:	Aluzinc
Color Cover Ring:	White
Color Code Cover Ring (RAL):	9016
Environmental Assessment:	Byggvarubedömningen

MEASUREMENT AND INSTALLATION

Operating Environment:	Indoor / damp locations
IP Degree of Protection:	23
Protection Class:	I
Installation:	Surface mounted, Wire-cable installation
Mounting Installation:	Screw Mounting, Hook
Approval Marks:	CE, VDE, a Hide-a-lite Choice
Impact Strength:	VDE 0710-13
Filament Test IEC 695-2-1(°C):	650
Length (mm):	1587
Width (mm):	308
Height (mm):	70
Weight (kg):	9,81



Indline Sport Grid IP23 XXL					
mA	Watt	30°	60°	90°	Asym
325mA	84W	13100lm	13000lm	12900lm	13300lm
400mA	104W	15900lm	15700lm	15600lm	16100lm
500mA*	130W	19300lm	19100lm	18900lm	19500lm
575mA	150W	22200lm	21900lm	21700lm	22400lm



We focus on sustainability using recycled material for creating innovative luminaires,
as well as replaceable LEDs and drivers.

Luminaires built for the future!