



## INDLINE SPORT GRID IP23 XXL WIDE 840

Sports luminaires with different light distribution or asymmetric light distribution optimal e.g. in padel halls. VDE 0710-13 ball tested, comes with a pre-installed grid. Push-in terminals at both sides for installation without opening the luminaire. Controlled via On/Off or DALI/Push. On/Off can be adjusted to a lower lumen output and wattage via DIP switch DALI enables control of each luminaire. Install on rail, ceiling, wall or wires. Adjustable ceiling and wall brackets as accessories.

### DESCRIPTION

<b>GTIN:</b>	7392971145846
<b>Item Name:</b>	Inline Sport Grid IP23 XXL Wide 840
<b>Warranty:</b>	5 years

### LIGHT TECHNICAL DATA

<b>Max. Luminaire Lumen (lm):</b>	21700
<b>Light Source:</b>	LED
<b>Light Source Included:</b>	Yes
<b>Replaceability:</b>	Replaceable LED by professional, Replaceable Control gear by professional
<b>LED Colour:</b>	White
<b>Colour Temperature (K):</b>	4000
<b>Colour Rendering Index (Ra):</b>	>80
<b>Colour Consistency (SDCM):</b>	3
<b>Luminous Intensity (cd):</b>	10400
<b>Beam Angle (°):</b>	90
<b>Light sharing:</b>	Symmetric
<b>Light Outlet:</b>	Wide Beam
<b>Number of Lamps (pcs):</b>	2
<b>Number of LED (pcs):</b>	264
<b>Life Time:</b>	L80 100000h Ta 25°C
<b>Nominal Life Time (h):</b>	100000
<b>Lumen maintenance 50 000h:</b>	L91
<b>Lumen maintenance 100 000h:</b>	L82
<b>LLMF @ 50 000h:</b>	0.91
<b>LLMF @ 100 000h:</b>	0.82
<b>Life Time Driver:</b>	100 000h/10%
<b>Flicker (PstLM):</b>	0,043
<b>Stroboscopic effect (SVM):</b>	0,004

## TECHNICAL DATA

Voltage (type):	AC
Voltage Interval (V):	220...240V
Voltage Nominal (V):	230
Line Frequency (Hz):	50, 60
Power LED (W):	145,4
Max. Power Luminaire (W):	150
Max. System Power (W):	150
Max. Efficiency Luminaire (lm/W):	144,7
Max. Efficiency System (lm/W):	144,7

Containing light source energy efficiency class (EU) 2019/2015: C

## OPERATION AND CONNECTION

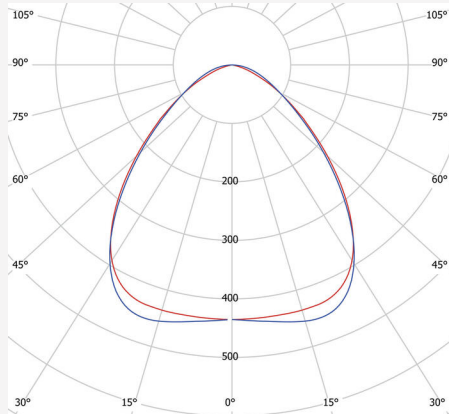
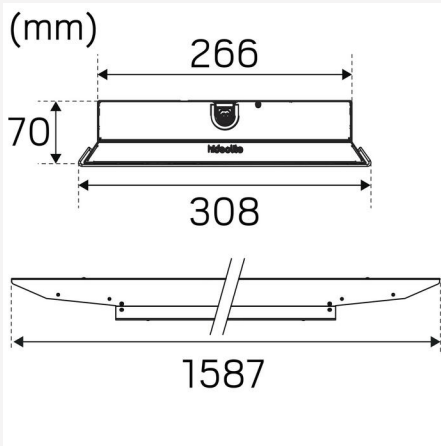
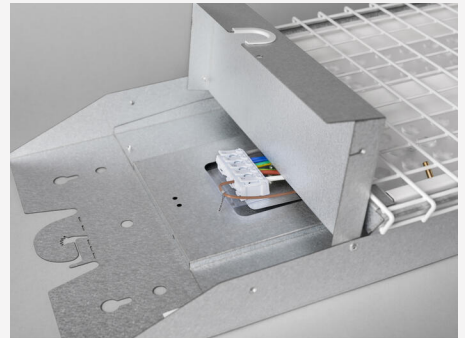
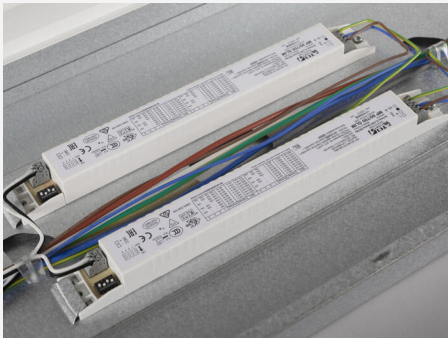
Dimmable:	No
Type of Dimming:	OnOff, DIP-Switch Power
Driver Included:	Yes
Driver Model:	Constant Current
Driver Type:	Built-in
Driver Manufacturer:	TCI
Connection (type):	Quick Terminal
Connection (mm2):	5x0,5-2,5
Through Wiring:	Yes
Strain Relief:	Yes
Power Factor $\lambda$ :	0,95
Efficiency (%):	93
Power loss (W):	6
Leakage current (mA) (at 230 V, 50 Hz, full load):	0,07
THD (%):	10
Constant Current (mA):	575, 325, 400, 500
Min. Ta (°C):	-25
Max. Ta (°C):	50
Max. Tc (°C):	85
Suitable for random switching:	Yes
Inrush current (max/time):	45A 100 $\mu$ s
Mains surge protection DM (kV):	2
Mains surge protection CM (kV):	2
Fuse B10 (pcs):	9
Fuse B16 (pcs):	14
Fuse C10 (pcs):	14
Fuse C16 (pcs):	22

## COLOR AND MATERIAL

Material:	Metal, Sheet metal, PMMA
Color:	Aluzinc
Color Cover Ring:	White
Color Code Cover Ring (RAL):	9016
Environmental Assessment:	Byggvarubedömningen

## MEASUREMENT AND INSTALLATION

<b>Operating Environment:</b>	Indoor / damp locations
<b>IP Degree of Protection:</b>	23
<b>Protection Class:</b>	I
<b>Installation:</b>	Surface mounted, Wire-cable installation
<b>Mounting Installation:</b>	Screw Mounting, Hook
<b>Approval Marks:</b>	CE, VDE, a Hide-a-lite Choice
<b>Impact Strength:</b>	VDE 0710-13
<b>Filament Test IEC 695-2-1(°C):</b>	650
<b>Length (mm):</b>	1587
<b>Width (mm):</b>	308
<b>Height (mm):</b>	70
<b>Weight (kg):</b>	9,81



Indline Sport Grid IP23 XXL					
mA	Watt	30°	60°	90°	Asym
325mA	84W	13100lm	13000lm	12900lm	13300lm
400mA	104W	15900lm	15700lm	15600lm	16100lm
500mA*	130W	19300lm	19100lm	18900lm	19500lm
575mA	150W	22200lm	21900lm	21700lm	22400lm



We focus on sustainability using recycled material for creating innovative luminaires,  
as well as replaceable LEDs and drivers.

**Luminaires built for the future!**