



LEDSTRIP 230V IP65 MIDLUM 2700K LPM

Det blir ikke enklere enn dette – slipp drivdon og begrensende sekundærledninger. LED-stripe 230V installeres og kobles direkte til 230V, med tilkoblingsintervall på kun 10 cm. LED-stripe 230V skaper en jevn lyslinje uten avbrudd og finnes i to lysstrømmer, Mid og High, perfekt for utendørs bruk (IP65). Den installeres på solide faste underlag, som fasader og takfot. LED-stripe 230V finnes som On/Off i flere fargetemperaturer og kan installeres i lengder fra 10 cm opp til 30 meter, avhengig av installasjonsunderlag. Den passer utmerket til flere av våre aluminiumsprofiler. Ved synlig installasjon anbefales et opalt dekklokk for best lysopplevelse. Leveres som standard i ruller på 10 meter med selvklebende tape, 3 meter tilkoblingskabel med støpsel, klips, tilkoblings- og endehatter. Kan også bestilles på mål i ønskede lengder. Løpemetre leveres på forespørsel med tilkoblingskabel etter ønske, som standard leveres løpemetre uten tilkoblingskabel. Tilkoblings-/forlengelseskit og klips finnes som tilbehør og bestilles separat.

BESKRIVELSE

EL-nummer:	3242556
Erstatter:	3242550
Item Name:	LEDstrip 230V IP65 MidLum 2700K lpm
Garanti:	5 år

LYS TEKNISKE DATA

Max Armaturlumen (lm):	700
Lyskilde:	LED
Utskiftbarhet:	Non-replaceable LED
Lysfarge:	Varmhvit
Fargetemperatur (K):	2700
Fargegjengivelse (Ra):	>80
Fargetoleranse (SDCM):	6
Lysstyrke (cd):	195
Spredningsvinkel (°):	120
Lysspredning:	Symmetrisk
Lysfordeling:	Direkte
Antall lyskilder (stk):	1
Antall LED (stk):	120
Avstand LED (mm):	8
Levetid:	h Ta °C
Nominell levetid (t):	90000
Flimner (PstLM):	0,5

TEKNISKE DATA

Spenning (Type):	AC
Spenningsintervall (V):	220...240V
Nominell spenning (V):	230
Nettfrekvens (Hz):	50, 60
Effekt armatur (W):	7
Systemeffekt (W):	7
Effektivitet armatur (lm/W):	100
Effektivitet system lm/W:	100
Energieffektivitetsklasse (EU) 2019/2015:	E
Eprel registreringsnummer:	941598

DRIFT OG TILKOBLING

Dimmbar:	Nei
Min Ta (°C):	-25
Maks Ta (°C):	40
Maks Tc (°C):	80

FARGE OG MATERIALE

Materiell:	Kobber, Silikon
Farge:	Hvit
Environmental Assessment:	Byggvarubedømmingen

DIMENSJON OG INSTALLASJON

Driftsmiljø:	Utendørs
IP-klasse:	65
Beskyttelsesklasse:	II
Montering:	Utenpåliggende
Innfesting:	Klips, Selvklebende tape
Godkjenningsmerknad:	CE, VDE
Glødetrådtypest IEC 695-2-1 (°C):	650
Lengde (mm):	1000
Bredde (mm):	12
Høyde (mm):	4
Vekt (kg):	0,06

LYS-I-METER

Min bøyningsradius (mm):	50
Min lengde (m):	0,1
Maks lengde (m):	30
Tilkoblingsintervall (mm):	100





IMPORTANT FOR INSTALLING LEDSTRIPS **hidealite**

Below are important general installation instructions for safe and correct installation of LEDstrips, including recommendations for mounting and handling.

General Installation Instructions

- The installation should be performed by a qualified installer.
- Always check the respective LEDstrip manual and exit.
- For outdoor installation, ensure that the LED strip does not end up in standing water.

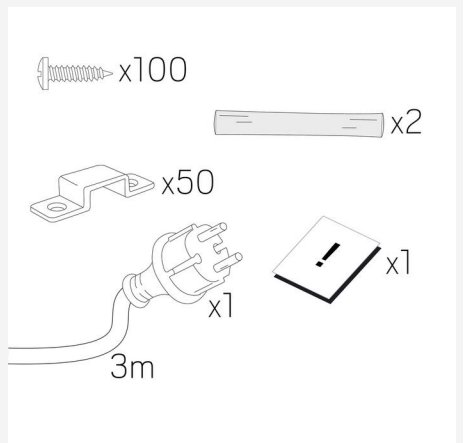
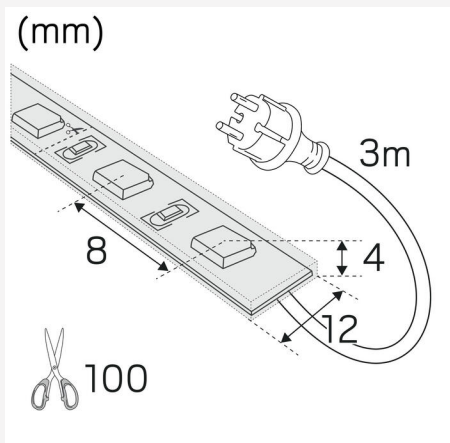
Installation and Preparations

- Always check the respective LEDstrip manual before installation to ensure the correct maximum length.
- Do not bend the LEDstrip beyond the allowed limit. Use an intermediate cable for corners.
- Handle LED strips carefully to avoid damage.
- Make sure the power is switched off during installation and that the LEDstrips do not overlap to avoid overheating.
- Clean the surface where the LEDstrip will be mounted with, for example, denatured alcohol (T-spirit) for the best adhesion.
- All LEDstrips with a rating higher than IP20 must be properly sealed according to the manual for the product to meet its correct IP rating and to be covered by the warranty.

Environmental and Sustainability Factors

- It is important that the LED strip's maximum specified ambient temperature is taken into consideration in order to guarantee its life span. If this is exceeded, the life span can be shortened drastically.
- Carefully consider the appropriate placement of the LED strip for outdoor installations. Avoid areas that are hot and exposed to direct sunlight.
- For outdoor installation in a profile, the profile should be able to move in at least one direction. Profiles longer than 4 meters should be installed with at least a 1mm gap to allow for movement as the material expands due to temperature fluctuations. In this gap, the LED strip should be complemented with silicone adhesive (staped LED strips can be in one continuous length as the LED strip expands along with the profile).
- An aluminum profile is recommended for heat dissipation. The tape adheres best to an aluminum profile.
- LED strips should be installed on fixed structures such as buildings, facades, permanent outdoor fixtures, fixed signs, and ceiling/wall niches.
- When installing outdoors, obvious wind- and vibration-exposed environments should be avoided, e.g., bridges, open stair structures, and unstable signs.
- When using our extension arms or mounting on wooden surfaces outdoors, the maximum length is 10m.
- Lengths over 5 meters are recommended to be installed by two people to avoid twisting, which can damage the LEDstrip and its components.
- Installation of the LED strip, wiring, and drivers should be easily accessible for maintenance.

Version 2023/02/04





Hide-a-lite

7505735



7
kWh/1000h



2019/2015

