



LEDSTRIP 24V IP20 HIGHLUM 4000K LPM

LEDstrip 24V IP20 comes with three lumen outputs, Low, Mid and High, to make it easier to find the right light for the right place. Want a subtle and relaxed atmosphere? Choose Low. Need more powerful lighting to bring out specific areas? Choose High. Perfect when you want to adapt the light to create character whatever the environment. Fits perfectly in our range of aluminium profiles. Very good colour rendering, RA > 90. Comes as standard in rolls of five metres with two metre connecting cable at each end, a quick connection and self-adhesive tape for easy installation. Five metre packs contain products to enable you to create three different lengths to suit your needs. LEDstrip 24V is also available made to measure in optional lengths. Upon request, running meters with connection cables are delivered according to your specifications; running meters are delivered as standard without connection cables. Drivers are ordered separately according to required dimmer technology and placing.

DESCRIPTION

GTIN:	7392971149615
Item Name:	LEDstrip 24V IP20 Highlum 4000K lpm
Warranty:	5 years

LIGHT TECHNICAL DATA

Max. Luminaire Lumen (lm):	1865
Light Source:	LED
Replaceability:	Non-replaceable LED
LED Colour:	White
Colour Temperature (K):	4000
Colour Rendering Index (Ra):	>90
Colour Consistency (SDCM):	3
Luminous Intensity (cd):	500
Beam Angle (°):	120
Light sharing:	Symmetric
Light Outlet:	Direct
Number of Lamps (pcs):	1
Number of LED (pcs):	160
LED Pitch (mm):	6
Life Time:	h Ta °C
Nominal Life Time (h):	75000
Lumen maintenance 50 000h:	L82
Lumen maintenance 75 000h:	L79
LLMF @ 50 000h:	0.82

TECHNICAL DATA

Voltage (type):	DC
Voltage Interval (V):	24...24V
Voltage Nominal (V):	24
Voltage Forward (Vf):	3
Max. Power Luminaire (W):	12,8
Max. System Power (W):	14,1
Max. Efficiency Luminaire (lm/W):	145,7
Max. Efficiency System (lm/W):	132,3
Energy Efficiency Class (EU) 2019/2015:	E
Eprel registration number:	1709061

OPERATION AND CONNECTION

Dimmable:	Yes
Driver Included:	No
Driver Model:	Constant Voltage
Connection (mm2):	2x0,5
Min. Ta (°C):	-20
Max. Ta (°C):	45
Max. Tc (°C):	70

COLOR AND MATERIAL

Material:	Copper
Color:	White

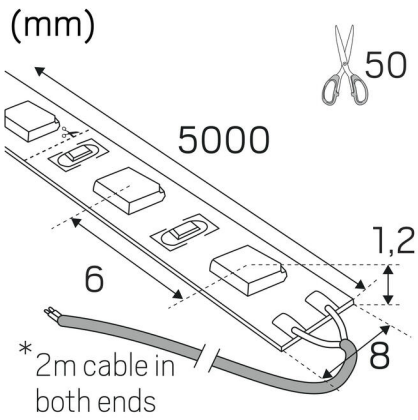
MEASUREMENT AND INSTALLATION

Operating Environment:	Indoor / dry locations
IP Degree of Protection:	20
Protection Class:	III
Installation:	Surface mounted
Mounting Installation:	Self Adhesive Tape
Approval Marks:	CE
Requires cooling:	No
Length (mm):	1000
Width (mm):	8
Height (mm):	2
Weight (kg):	0,02

LEDSTRIPS

Min. Bend Radius (mm):	60
Min. Length (m):	0,05
Max. Length (m):	5
Cutting Increments (mm):	50





Hide-a-lite

LEDstrip 24V Highlum 4000K



6
kWh/1000h



2019/2015