



INDLINE IP23 XXL MEDIUM 840

Industrial luminaire in steel with high efficiency that meets the industry's needs for flexibility and long life time. Replaces T5 and T8 luminaires with lower energy consumption and reduced maintenance. Push-in terminals strategically placed on both sides of the fitting make it possible to use existing cables (doesn't apply to Indline M). Well-planned design enabling replacement of both LED and driver. Control the lighting via DALI/Push or On/Off. On/Off can be adjusted to a lower lumen output and wattage via DIP-switch Power. The luminaire is adapted for mounting on a luminaire rail and has key holes for ceiling installation. Integrated wire suspension with hook and hook lock for easy mounting on wire.

DESCRIPTION

GTIN:	7392971145754
Item Name:	Indline IP23 XXL Medium 840
Warranty:	5 years

LIGHT TECHNICAL DATA

Max. Luminaire Lumen (lm):	25900
Light Source:	LED
Light Source Included:	Yes
Replaceability:	Replaceable LED by professional, Replaceable Control gear by professional
LED Colour:	White
Colour Temperature (K):	4000
Colour Rendering Index (Ra):	>80
Colour Consistency (SDCM):	3
Luminous Intensity (cd):	20800
Beam Angle (°):	60
Light sharing:	Symmetric
Light Outlet:	Medium Beam
Number of Lamps (pcs):	2
Number of LED (pcs):	264
Life Time:	h Ta °C
Nominal Life Time (h):	100000
Lumen maintenance 50 000h:	L91
Lumen maintenance 100 000h:	L82
LLMF @ 50 000h:	0.91
LLMF @ 100 000h:	0.82
Life Time Driver:	100 000h/10%
Flicker (PstLM):	0,043
Stroboscopic effect (SVM):	0,004

TECHNICAL DATA

Voltage (type):	AC
Voltage Interval (V):	220...240V
Voltage Nominal (V):	230
Line Frequency (Hz):	50, 60
Power LED (W):	145,4
Max. Power Luminaire (W):	150
Max. System Power (W):	150
Max. Efficiency Luminaire (lm/W):	172,7
Max. Efficiency System (lm/W):	172,7

Containing light source energy efficiency class (EU) 2019/2015: C

OPERATION AND CONNECTION

Dimmable:	No
Type of Dimming:	OnOff, DIP-Switch Power
Driver Included:	Yes
Driver Model:	Constant Current
Driver Type:	Built-in
Driver Manufacturer:	TCI
Connection (type):	Quick Terminal
Connection (mm²):	5x0,5-2,5
Through Wiring:	Yes
Strain Relief:	Yes
Power Factor λ:	0,95
Efficiency (%):	93
Power loss (W):	6
Leakage current (mA) (at 230 V, 50 Hz, full load):	0,07
THD (%):	10
Constant Current (mA):	575, 325, 400, 500
Min. Ta (°C):	-25
Max. Ta (°C):	50
Max. Tc (°C):	85
Suitable for random switching:	Yes
Inrush current (max/time):	45A 100 μ s
Mains surge protection DM (kV):	2
Mains surge protection CM (kV):	2
Fuse B10 (pcs):	9
Fuse B16 (pcs):	14
Fuse C10 (pcs):	14
Fuse C16 (pcs):	22

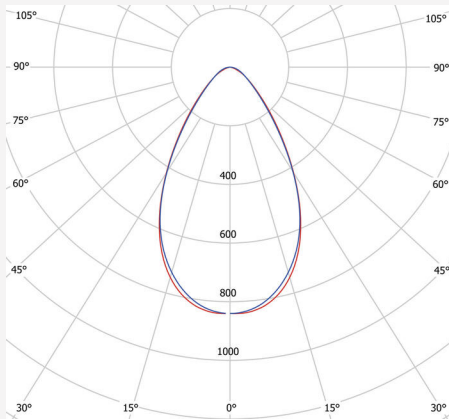
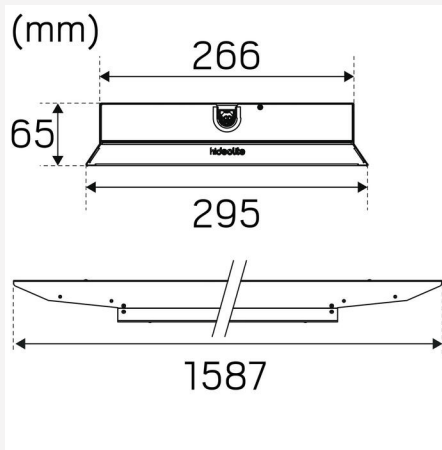
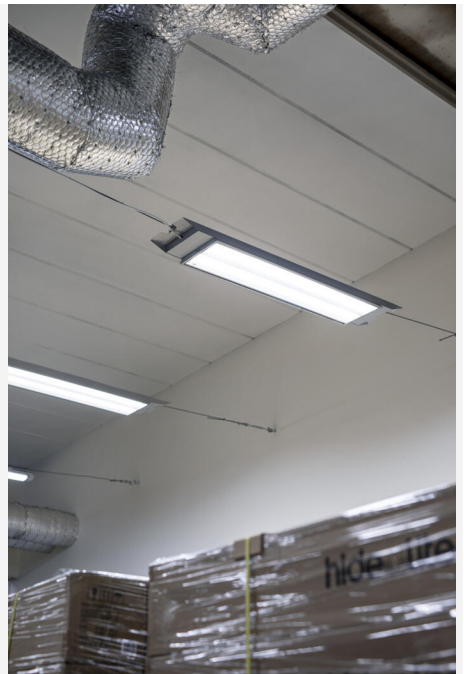
COLOR AND MATERIAL

Material:	Metal, Sheet metal, PMMA
Color:	Aluzinc
Color Cover Ring:	White
Color Code Cover Ring (RAL):	9016

MEASUREMENT AND INSTALLATION

Operating Environment:	Indoor / damp locations
IP Degree of Protection:	23
Protection Class:	I
Installation:	Surface mounted, Wire-cable installation
Mounting Installation:	Screw Mounting, Hook
Approval Marks:	CE, a Hide-a-lite Choice
Filament Test IEC 695-2-1(°C):	650
Length (mm):	1587
Width (mm):	295
Height (mm):	65
Weight (kg):	8,72





Indline IP23 XXL

mA	Watt	30°	60°	90°
325mA	84W	15 300lm	15 500lm	14 400lm
400mA	104W	18 500lm	18 800lm	17 400lm
500mA	130W	22 700lm	23 000lm	21 200lm
575mA	150W	25 600lm	25 900lm	25 100lm

