



## INDLINE IP23 XXL WIDE 840

Industrial luminaire in steel with high efficiency that meets the industry's needs for flexibility and long life time. Replaces T5 and T8 luminaires with lower energy consumption and reduced maintenance. Push-in terminals strategically placed on both sides of the fitting make it possible to use existing cables (doesn't apply to Indline M). Well-planned design enabling replacement of both LED and driver. Control the lighting via DALI/Push or On/Off. On/Off can be adjusted to a lower lumen output and wattage via DIP-switch Power. The luminaire is adapted for mounting on a luminaire rail and has key holes for ceiling installation. Integrated wire suspension with hook and hook lock for easy mounting on wire.

### DESCRIPTION

<b>GTIN:</b>	7392971145761
<b>Item Name:</b>	Indline IP23 XXL Wide 840
<b>Warranty:</b>	5 years

## LIGHT TECHNICAL DATA

<b>Max. Luminaire Lumen (lm):</b>	25100
<b>Light Source:</b>	LED
<b>Light Source Included:</b>	Yes
<b>Replaceability:</b>	Replaceable LED by professional, Replaceable Control gear by professional
<b>LED Colour:</b>	White
<b>Colour Temperature (K):</b>	4000
<b>Colour Rendering Index (Ra):</b>	>80
<b>Colour Consistency (SDCM):</b>	3
<b>Luminous Intensity (cd):</b>	11500
<b>Beam Angle (°):</b>	90
<b>Light sharing:</b>	Symmetric
<b>Light Outlet:</b>	Wide Beam
<b>Number of Lamps (pcs):</b>	2
<b>Number of LED (pcs):</b>	264
<b>Life Time:</b>	L80 100000h Ta 25°C
<b>Nominal Life Time (h):</b>	100000
<b>Lumen maintenance 50 000h:</b>	L91
<b>Lumen maintenance 100 000h:</b>	L82
<b>LLMF @ 50 000h:</b>	0.91
<b>LLMF @ 100 000h:</b>	0.82
<b>Life Time Driver:</b>	100 000h/10%
<b>Flicker (PstLM):</b>	0,043
<b>Stroboscopic effect (SVM):</b>	0,004

## TECHNICAL DATA

<b>Voltage (type):</b>	AC
<b>Voltage Interval (V):</b>	220...240V
<b>Voltage Nominal (V):</b>	230
<b>Line Frequency (Hz):</b>	50, 60
<b>Power LED (W):</b>	145,4
<b>Max. Power Luminaire (W):</b>	150
<b>Max. System Power (W):</b>	150
<b>Max. Efficiency Luminaire (lm/W):</b>	167,3
<b>Max. Efficiency System (lm/W):</b>	167,3

Containing light source energy efficiency class (EU) 2019/2015: C

## OPERATION AND CONNECTION

<b>Dimmable:</b>	No
<b>Type of Dimming:</b>	OnOff, DIP-Switch Power
<b>Driver Included:</b>	Yes
<b>Driver Model:</b>	Constant Current
<b>Driver Type:</b>	Built-in
<b>Driver Manufacturer:</b>	TCI
<b>Connection (type):</b>	Quick Terminal
<b>Connection (mm2):</b>	5x0,5-2,5
<b>Through Wiring:</b>	Yes
<b>Strain Relief:</b>	Yes
<b>Power Factor <math>\lambda</math>:</b>	0,95
<b>Efficiency (%):</b>	93
<b>Power loss (W):</b>	6
<b>Leakage current (mA) (at 230 V, 50 Hz, full load):</b>	0,07
<b>THD (%):</b>	10
<b>Constant Current (mA):</b>	575, 325, 400, 500
<b>Min. Ta (°C):</b>	-25
<b>Max. Ta (°C):</b>	50
<b>Max. Tc (°C):</b>	85
<b>Suitable for random switching:</b>	Yes
<b>Inrush current (max/time):</b>	45A 100 $\mu$ s
<b>Mains surge protection DM (kV):</b>	2
<b>Mains surge protection CM (kV):</b>	2
<b>Fuse B10 (pcs):</b>	9
<b>Fuse B16 (pcs):</b>	14
<b>Fuse C10 (pcs):</b>	14
<b>Fuse C16 (pcs):</b>	22

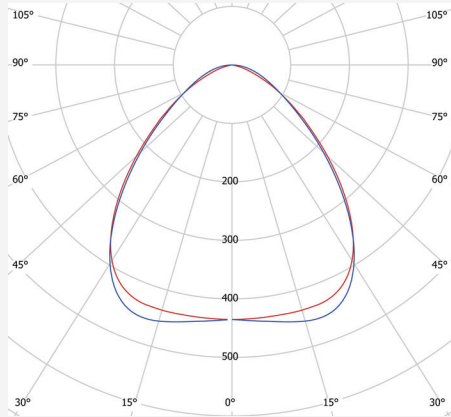
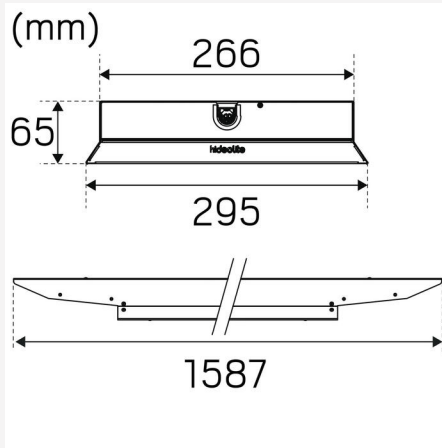
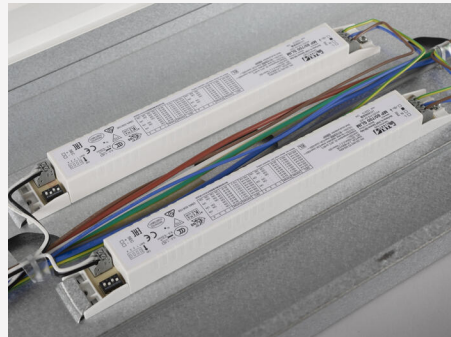
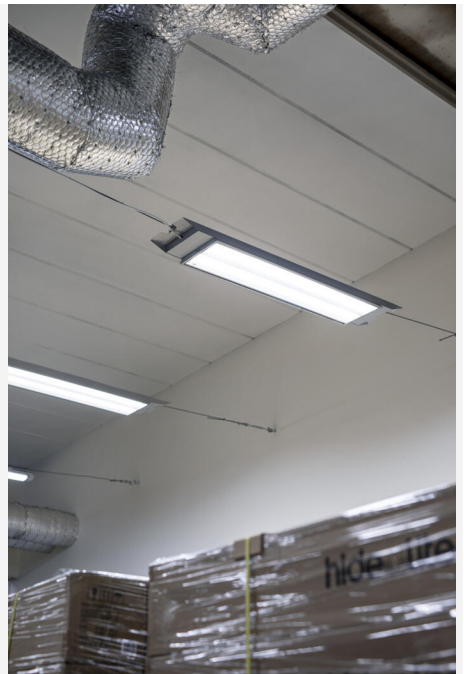
## COLOR AND MATERIAL

<b>Material:</b>	Metal, Sheet metal, PMMA
<b>Color:</b>	Aluzinc
<b>Color Cover Ring:</b>	White
<b>Color Code Cover Ring (RAL):</b>	9016

## MEASUREMENT AND INSTALLATION

<b>Operating Environment:</b>	Indoor / damp locations
<b>IP Degree of Protection:</b>	23
<b>Protection Class:</b>	I
<b>Installation:</b>	Surface mounted, Wire-cable installation
<b>Mounting Installation:</b>	Screw Mounting, Hook
<b>Approval Marks:</b>	CE, a Hide-a-lite Choice
<b>Filament Test IEC 695-2-1(°C):</b>	650
<b>Length (mm):</b>	1587
<b>Width (mm):</b>	295
<b>Height (mm):</b>	65
<b>Weight (kg):</b>	8,72





**Indline IP23 XXL**

mA	Watt	30°	60°	90°
325mA	84W	15 300lm	15 500lm	14 400lm
400mA	104W	18 500lm	18 800lm	17 400lm
500mA	130W	22 700lm	23 000lm	21 200lm
575mA	150W	25 600lm	25 900lm	25 100lm

**hideolite**  
choice

We focus on sustainability using recycled material for creating innovative luminaires, as well as replaceable LEDs and drivers.

Luminaires built for the future!

