



## INDLINE G2 IP23 L 60°

Indline G2 IP23 optimises your installation with new technology smart control solutions. With push-in terminals on both sides, you can easily use existing wiring without opening the fixture, making installation quick and easy. The well-thought-out design allows for replacement of both LEDs and drivers, which simplifies maintenance. Indline G2 IP23 features high efficiency, 12 kV surge protection, DIP-Switch Power and multiple control options – a flexible lighting solution for warehouses, industries and retail. Available in On/Off or DALI control options, or alternatively Casambi with or without PIR sensor. The luminaire is adapted for installation on a luminaire rail and has key holes for ceiling installation, including system ceilings. Accessory bracket for system ceiling and surge protection "industrial connector" 12kV. With integrated wire suspension with hook and hook lock for easy installation on wire.

### DESCRIPTION

<b>GTIN:</b>	7392971152240
<b>Item Name:</b>	Indline G2 IP23 L 60°
<b>Warranty:</b>	5 years

## LIGHT TECHNICAL DATA

<b>Min. Armaturlumen (lm):</b>	10350
<b>Max. Luminaire Lumen (lm):</b>	17800
<b>Light Source:</b>	LED
<b>Light Source Included:</b>	Yes
<b>Replaceability:</b>	Replaceable LED by professional, Replaceable Control gear by professional
<b>LED Colour:</b>	White
<b>Colour Temperature (K):</b>	4000
<b>Colour Rendering Index (Ra):</b>	>80
<b>Colour Consistency (SDCM):</b>	3
<b>Luminous Intensity (cd):</b>	13565
<b>Beam Angle (°):</b>	60
<b>Light sharing:</b>	Symmetric
<b>Light Outlet:</b>	Direct, Medium Beam
<b>Number of Lamps (pcs):</b>	1
<b>Number of LED (pcs):</b>	288
<b>Life Time:</b>	h Ta °C
<b>Nominal Life Time (h):</b>	100000
<b>Lumen maintenance 50 000h:</b>	L92
<b>Lumen maintenance 75 000h:</b>	L85
<b>Lumen maintenance 100 000h:</b>	L85
<b>LLMF @ 50 000h:</b>	0.92
<b>LLMF @ 100 000h:</b>	0.85
<b>Life Time Driver:</b>	100 000h/10%
<b>Flicker (PstLM):</b>	0,045
<b>Stroboscopic effect (SVM):</b>	0,009

## TECHNICAL DATA

<b>Voltage (type):</b>	AC
<b>Voltage Interval (V):</b>	220...240V
<b>Voltage Nominal (V):</b>	230
<b>Line Frequency (Hz):</b>	50
<b>Max. Power Luminaire (W):</b>	97
<b>Max. System Power (W):</b>	97
<b>Max. Efficiency Luminaire (lm/W):</b>	183,5
<b>Max. Efficiency System (lm/W):</b>	183,5

## OPERATION AND CONNECTION

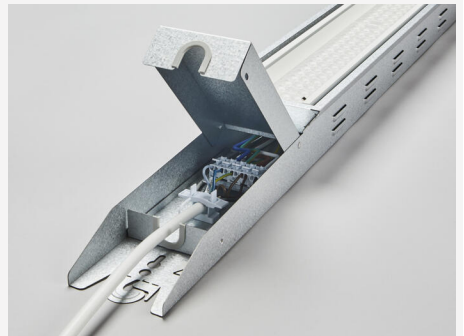
<b>Dimmable:</b>	No
<b>Type of Dimming:</b>	DIP-Switch Power, OnOff
<b>Driver Included:</b>	Yes - replaceable
<b>Driver Model:</b>	Constant Current
<b>Driver Type:</b>	Built-in
<b>Driver Manufacturer:</b>	Tridonic
<b>Connection (type):</b>	Quick Terminal
<b>Connection (mm<sup>2</sup>):</b>	5x0,5-2,5
<b>Through Wiring:</b>	Yes
<b>Strain Relief:</b>	Yes
<b>Power Factor <math>\lambda</math>:</b>	0,95
<b>Efficiency (%):</b>	93
<b>THD (%):</b>	10
<b>Constant Current (mA):</b>	200, 250, 300, 350
<b>Min. Ta (°C):</b>	-20
<b>Max. Ta (°C):</b>	40
<b>Max. Tc (°C):</b>	75
<b>Protection Against:</b>	Short Circuit, Overload
<b>Mains surge protection DM (kV):</b>	12
<b>Fuse B10 (pcs):</b>	6
<b>Fuse B16 (pcs):</b>	11
<b>Fuse C10 (pcs):</b>	10
<b>Fuse C16 (pcs):</b>	18

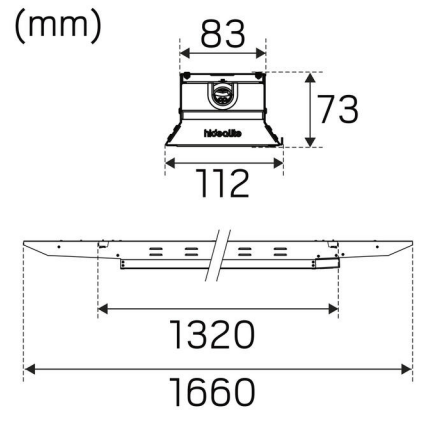
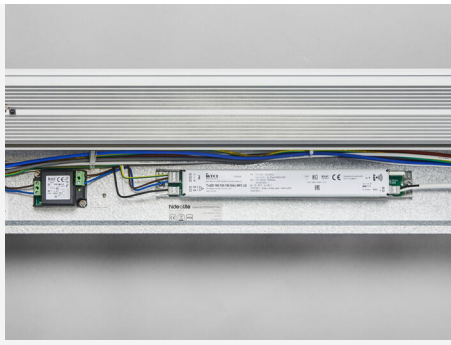
## COLOR AND MATERIAL

<b>Material:</b>	Metal, Sheet metal
<b>Color:</b>	Aluzinc
<b>Environmental Assessment:</b>	EPD, Byggvarubedömningen
<b>Available in special color:</b>	No

## MEASUREMENT AND INSTALLATION

<b>Operating Environment:</b>	Indoor / damp locations
<b>IP Degree of Protection:</b>	23
<b>Protection Class:</b>	I
<b>Installation:</b>	Surface mounted, Wire-cable installation
<b>Mounting Installation:</b>	Screw Mounting, Hook
<b>Approval Marks:</b>	CE, a Hide-a-lite Choice
<b>Impact Strength:</b>	IK03
<b>Filament Test IEC 695-2-1(°C):</b>	650
<b>Length (mm):</b>	1660
<b>Width (mm):</b>	112
<b>Height (mm):</b>	73
<b>Weight (kg):</b>	4,01





**INDLINE G2 L DIP-POWER**

mA	Watt	30°	60°	90°	Asym
200mA	55W	11050lm	10350lm	10150lm	10350m
250mA	69W	13750lm	12900lm	12650lm	12600lm
300mA	82W	16300lm	15250lm	15050lm	15000lm
350mA	97W	19050lm	17800lm	17550lm	16350lm

Factory setting: 350mA

We focus on sustainability using recycled material for creating innovative luminaires, as well as replaceable LEDs and drivers.

**Luminaires built for the future!**

