



INDLINE G2 IP23 XL 60°

Indline G2 IP23 optimises your installation with new technology smart control solutions. With push-in terminals on both sides, you can easily use existing wiring without opening the fixture, making installation quick and easy. The well-thought-out design allows for replacement of both LEDs and drivers, which simplifies maintenance. Indline G2 IP23 features high efficiency, 12 kV surge protection, DIP-Switch Power and multiple control options – a flexible lighting solution for warehouses, industries and retail. Available in On/Off or DALI control options, or alternatively Casambi with or without PIR sensor. The luminaire is adapted for installation on a luminaire rail and has key holes for ceiling installation, including system ceilings. Accessory bracket for system ceiling and surge protection "industrial connector" 12kV. With integrated wire suspension with hook and hook lock for easy installation on wire.

DESCRIPTION

GTIN:	7392971152356
Item Name:	Indline G2 IP23 XL 60°
Warranty:	5 years

LIGHT TECHNICAL DATA

Min. Armaturlumen (lm):	15450
Max. Luminaire Lumen (lm):	23050
Light Source:	LED
Light Source Included:	Yes
Replaceability:	Replaceable LED by professional, Replaceable Control gear by professional
LED Colour:	White
Colour Temperature (K):	4000
Colour Rendering Index (Ra):	>80
Colour Consistency (SDCM):	3
Luminous Intensity (cd):	17989
Beam Angle (°):	60
Light sharing:	Symmetric
Light Outlet:	Direct, Medium Beam
Number of Lamps (pcs):	1
Number of LED (pcs):	360
Life Time:	h Ta °C
Nominal Life Time (h):	100000
Lumen maintenance 50 000h:	L92
Lumen maintenance 75 000h:	L85
Lumen maintenance 100 000h:	L85
LLMF @ 50 000h:	0.92
LLMF @ 100 000h:	0.85
Life Time Driver:	100 000h/10%
Flicker (PstLM):	0,057
Stroboscopic effect (SVM):	0,009

TECHNICAL DATA

Voltage (type):	AC
Voltage Interval (V):	220...240V
Voltage Nominal (V):	230
Line Frequency (Hz):	50
Max. Power Luminaire (W):	125
Max. System Power (W):	125
Max. Efficiency Luminaire (lm/W):	184,4
Max. Efficiency System (lm/W):	184,4

OPERATION AND CONNECTION

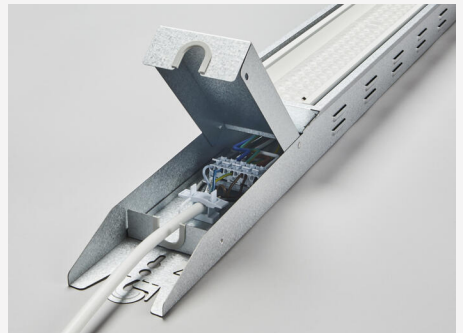
Dimmable:	No
Type of Dimming:	DIP-Switch Power, OnOff
Driver Included:	Yes - replaceable
Driver Model:	Constant Current
Driver Type:	Built-in
Driver Manufacturer:	Tridonic
Connection (type):	Quick Terminal
Connection (mm²):	5x0,5-2,5
Through Wiring:	Yes
Strain Relief:	Yes
Power Factor λ:	0,95
Efficiency (%):	93
THD (%):	10
Constant Current (mA):	400, 500, 600
Min. Ta (°C):	-20
Max. Ta (°C):	40
Max. Tc (°C):	75
Protection Against:	Short Circuit, Overload
Mains surge protection DM (kV):	12
Fuse B10 (pcs):	6
Fuse B16 (pcs):	11
Fuse C10 (pcs):	10
Fuse C16 (pcs):	18

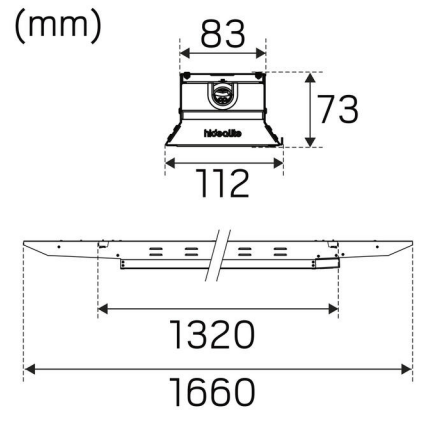
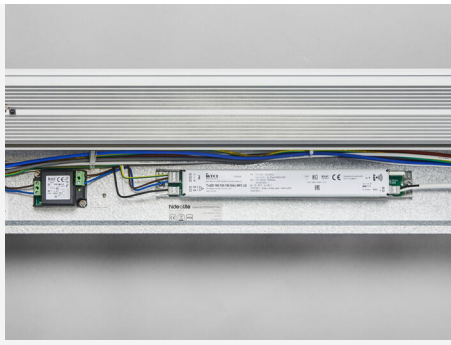
COLOR AND MATERIAL

Material:	Metal, Sheet metal
Color:	Aluzinc
Environmental Assessment:	EPD, Byggvarubedömningen
Available in special color:	No

MEASUREMENT AND INSTALLATION

Operating Environment:	Indoor / damp locations
IP Degree of Protection:	23
Protection Class:	I
Installation:	Surface mounted, Wire-cable installation
Mounting Installation:	Screw Mounting, Hook
Approval Marks:	CE, a Hide-a-lite Choice
Impact Strength:	IK03
Filament Test IEC 695-2-1(°C):	650
Length (mm):	1660
Width (mm):	112
Height (mm):	73
Weight (kg):	4,7





INDLINE G2 XL DIP-POWER

mA	Watt	30°	60°	90°	Asym
400mA	81W	15750lm	15450lm	14550lm	15450m
500mA	103W	19600lm	19400lm	18100lm	18400lm
600mA	125W	23350lm	23050lm	21600lm	20900lm

Factory setting: 600mA

We focus on sustainability using recycled material for creating innovative luminaires, as well as replaceable LEDs and drivers.

Luminaires built for the future!

