



COMFORT QUICK OUTDOOR GU10 WHITE 3000K

Low built and adjustable outdoor luminaire in the Comfort series with a pre-installed dimmable GU10-socket. Very easy to install thanks to our easy to use connection box with 3-pole push in terminal for through wiring and tool free installation. Comes with 2 inlets for 16mm hose, where the hose is clicked in. Can easily be switched to cable gland when needed. Easy to change light source thanks to removable front ring. Dimmable with the most commonly available dimmers on the market.

DESCRIPTION

GTIN:	7392971135380
Item Name:	Comfort Quick Outdoor GU10 White 3000K
Warranty:	5 years

LIGHT TECHNICAL DATA

Max. Luminaire Lumen (lm):	470
Light Source:	LED
Replaceability:	Replaceable light source by end-user
Lamp Holder (type):	GU10
LED Colour:	Warm White
Colour Temperature (K):	3000
Colour Rendering Index (Ra):	>80
Colour Consistency (SDCM):	3
Luminous Intensity (cd):	815
Beam Angle (°):	36
Light sharing:	Symmetric
Light Outlet:	Direct
Number of Lamps (pcs):	1
Number of LED (pcs):	1
Life Time:	h Ta °C
Nominal Life Time (h):	50000
Flicker (PstLM):	0,018
Stroboscopic effect (SVM):	0,127

TECHNICAL DATA

Adjustable:	Yes
Tilttable (°):	30
Voltage (type):	AC
Voltage Interval (V):	220...240V
Voltage Nominal (V):	230
Power LED (W):	4,8
Max. Power Luminaire (W):	5,8
Max. System Power (W):	5,8
Max. Efficiency Luminaire (lm/W):	81,0
Max. Efficiency System (lm/W):	81,0
Containing light source energy efficiency class (EU) 2019/2015: F	
Eprel registration number:	750237

OPERATION AND CONNECTION

Dimmable:	Yes
Driver Included:	No
Connection (type):	Quick Connection
Connection (mm2):	3x0,5-2,5
Through Wiring:	Yes
Strain Relief:	Yes
Min. Ta (°C):	-20
Max. Ta (°C):	40
Max. Tc (°C):	85

COLOR AND MATERIAL

Material:	Aluminium
Color:	White

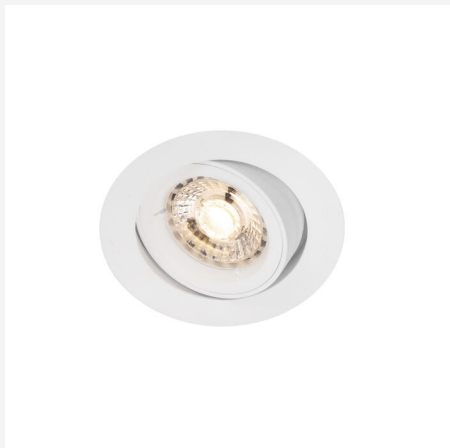
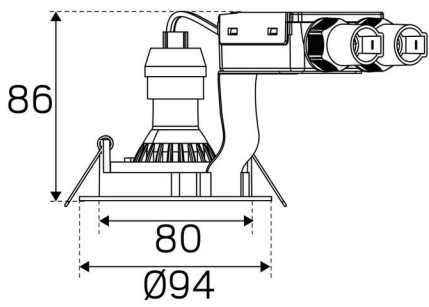
MEASUREMENT AND INSTALLATION

Operating Environment:	Indoor / dry locations, Outdoor
IP Degree of Protection:	23
Protection Class:	II
Installation:	Built-in
Mounting Installation:	Tension Spring
Ceiling Thickness Interval (mm):	2-26mm
Fire Safety Marks:	Not in insulation without protection cover
Protection Cover:	7466700, 7466701
Approval Marks:	CE
Filament Test IEC 695-2-1(°C):	650
Height (mm):	86
Diameter (mm):	95
Weight (kg):	0,3
Min. Built-in (mm):	200x200x120
Height Exterior Part (mm):	3
Built-in Ø (mm):	83-88mm

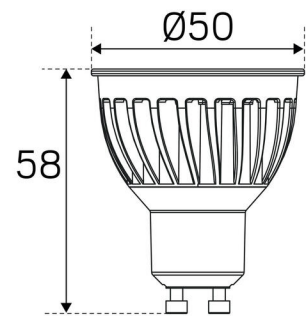


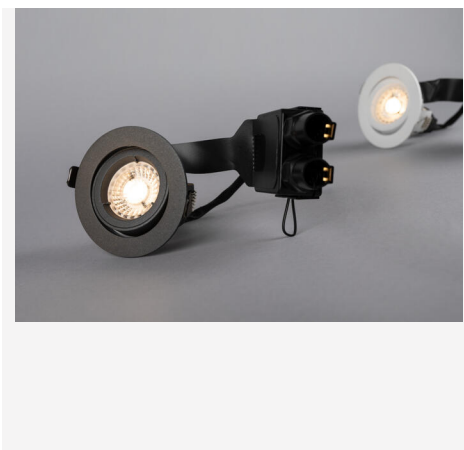


(mm)

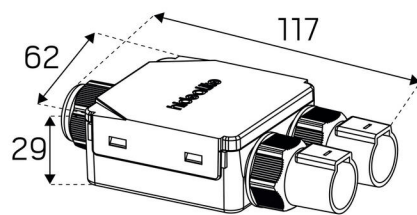


(mm)





(mm)



(mm)

