



## COMFORT QUICK OUTDOOR GU10 ANTHRACITE 3000K

Low built and adjustable outdoor luminaire in the Comfort series with a pre-installed dimmable GU10-socket. Very easy to install thanks to our easy to use connection box with 3-pole push in terminal for through wiring and tool free installation. Comes with 2 inlets for 16mm hose, where the hose is clicked in. Can easily be switched to cable gland when needed. Easy to change light source thanks to removable front ring. Dimmable with the most commonly available dimmers on the market.

### DESCRIPTION

<b>GTIN:</b>	7392971135403
<b>Item Name:</b>	Comfort Quick Outdoor GU10 Anthracite 3000K
<b>Warranty:</b>	5 years

### LIGHT TECHNICAL DATA

<b>Max. Luminaire Lumen (lm):</b>	470
<b>Light Source:</b>	LED
<b>Replaceability:</b>	Replaceable light source by end-user
<b>Lamp Holder (type):</b>	GU10
<b>LED Colour:</b>	Warm White
<b>Colour Temperature (K):</b>	3000
<b>Colour Rendering Index (Ra):</b>	>80
<b>Colour Consistency (SDCM):</b>	3
<b>Luminous Intensity (cd):</b>	815
<b>Beam Angle (°):</b>	36
<b>Light sharing:</b>	Symmetric
<b>Light Outlet:</b>	Direct
<b>Number of Lamps (pcs):</b>	1
<b>Number of LED (pcs):</b>	1
<b>Life Time:</b>	h Ta °C
<b>Nominal Life Time (h):</b>	50000
<b>Flicker (PstLM):</b>	0,018
<b>Stroboscopic effect (SVM):</b>	0,127

## TECHNICAL DATA

Adjustable:	Yes
Tilttable (°):	30
Voltage (type):	AC
Voltage Interval (V):	220...240V
Voltage Nominal (V):	230
Power LED (W):	4,8
Max. Power Luminaire (W):	5,8
Max. System Power (W):	5,8
Max. Efficiency Luminaire (lm/W):	81,0
Max. Efficiency System (lm/W):	81,0
Containing light source energy efficiency class (EU) 2019/2015: F	
Eprel registration number:	750237

## OPERATION AND CONNECTION

Dimmable:	Yes
Driver Included:	No
Connection (type):	Quick Connection
Connection (mm2):	3x0,5-2,5
Through Wiring:	Yes
Strain Relief:	Yes
Min. Ta (°C):	-20
Max. Ta (°C):	40
Max. Tc (°C):	85

## COLOR AND MATERIAL

Material:	Aluminium
Color:	Antracit

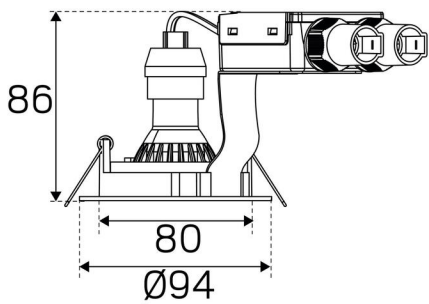
## MEASUREMENT AND INSTALLATION

Operating Environment:	Indoor / dry locations, Outdoor
IP Degree of Protection:	23
Protection Class:	II
Installation:	Built-in
Mounting Installation:	Tension Spring
Ceiling Thickness Interval (mm):	2-26mm
Fire Safety Marks:	Not in insulation without protection cover
Protection Cover:	7466700, 7466701
Approval Marks:	CE
Filament Test IEC 695-2-1(°C):	650
Height (mm):	86
Diameter (mm):	95
Weight (kg):	0,3
Min. Built-in (mm):	200x200x120
Height Exterior Part (mm):	3
Built-in Ø (mm):	83-88mm

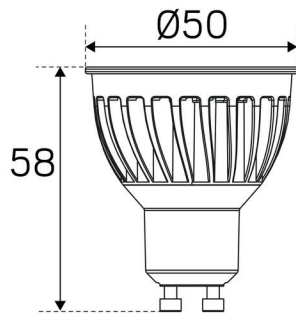




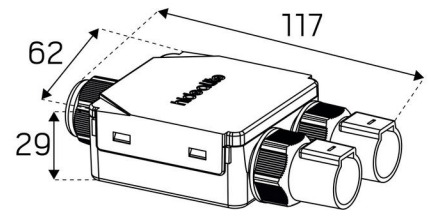
(mm)



(mm)



(mm)



(mm)

