



OPTIC SPOT XS 36° WHITE

Discrete, compact and highly glare-free spotlight with fixing bracket for recessed installation in ceilings. 230V luminaire with integrated dimmable driver. Replaceable LED and driver – built for the future Adjustable 90° and rotatable 355° – when installing the luminaire in a sloping ceiling, it is easier to direct the light towards specific areas, such as walls or pictures, which gives a better result than with recessed downlights. Using the DIP-Switch colour temp function, colour temperature is easily adjusted with the touch of a button on the back of the luminaire. Our luminaire with reflector technology is optimised to create a highly glare-free and sharp light distribution that directs the light on whatever you want to highlight. For improved glare reduction, the Honeycomb accessory can be added to the luminaire. You can easily replace the reflector with a lens accessory to adjust the light distribution as needed.

DESCRIPTION

GTIN:	7392971151250
Item Name:	Optic Spot XS 36° White
Warranty:	5 years

LIGHT TECHNICAL DATA

Max. Luminaire Lumen (lm):	770
Light Source:	LED
Light Source Included:	Yes
Replaceability:	Replaceable LED by professional, Replaceable Control gear by professional
LED Colour:	Warm White
Colour Temperature (K):	2700, 3000
Colour Rendering Index (Ra):	>90
Colour Consistency (SDCM):	3
Luminous Intensity (cd):	2000
Beam Angle (°):	36
Light sharing:	Symmetric
Light Outlet:	Direct
Number of Lamps (pcs):	1
Number of LED (pcs):	1
Life Time:	h Ta °C
Nominal Life Time (h):	100000
Lumen maintenance 50 000h:	L90
Lumen maintenance 75 000h:	L84
Lumen maintenance 100 000h:	L81
LLMF @ 50 000h:	0.9
LLMF @ 100 000h:	0.81
Life Time Driver:	100 000h/8%
Flicker (PstLM):	0,01
Stroboscopic effect (SVM):	0,01

TECHNICAL DATA

Adjustable:	Yes
Tilttable (°):	90
Rotatable (°):	350
Voltage (type):	AC
Voltage Interval (V):	220...240V
Voltage Nominal (V):	230
Line Frequency (Hz):	50
Power LED (W):	8,1
Max. Power Luminaire (W):	9,7
Max. System Power (W):	9,7
Max. Efficiency Luminaire (lm/W):	86
Max. Efficiency System (lm/W):	86
Containing light source energy efficiency class (EU) 2019/2015: F	

OPERATION AND CONNECTION

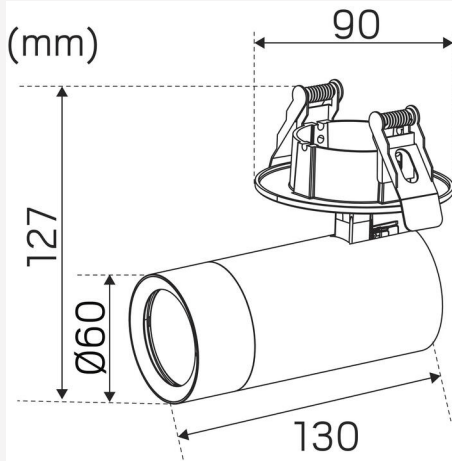
Dimmable:	Yes
Type of Dimming:	Trailing Edge
Driver Included:	Yes - replaceable
Driver Model:	Constant Current
Driver Type:	Built-in
Driver Manufacturer:	Hide-a-lite
Connection (type):	Quick Terminal
Length Connection (cm):	25
Connection (mm²):	3x0,5-2,5
Through Wiring:	Yes
Strain Relief:	Yes
Power Factor λ:	0,9
Efficiency (%):	83
Power loss (W):	1,6
Leakage current (mA) (at 230 V, 50 Hz, full load):	0,05
THD (%):	16
Constant Current (mA):	220
Min. Ta (°C):	-20
Max. Ta (°C):	40
Max. Tc (°C):	85
Dimming secondary side:	AM
Memory Function Power Failure:	No
Protection Against:	Short Circuit, Overheating 120°C, Overload
Inrush current (max/time):	3A 42 μ s
Mains surge protection DM (kV):	1
Mains surge protection CM (kV):	2
Fuse B10 (pcs):	46
Fuse B16 (pcs):	75
Fuse C10 (pcs):	75
Fuse C16 (pcs):	125

COLOR AND MATERIAL

Material:	Aluminium
Color:	White
Environmental Assessment:	Byggvarubedömningen

MEASUREMENT AND INSTALLATION

Operating Environment:	Indoor / dry locations
IP Degree of Protection:	20
Protection Class:	I
Installation:	Ceiling, Built-in
Mounting Installation:	Mounting Spring
Ceiling Thickness Interval (mm):	3-30mm
Approval Marks:	CE, a Hide-a-lite Choice
Filament Test IEC 695-2-1(°C):	650
Length (mm):	130
Width (mm):	90
Height (mm):	127
Diameter (mm):	60
Weight (kg):	0,51
Height Recessed Part (mm):	40
Height Exterior Part (mm):	87
Built-in \emptyset (mm):	70-85mm



36°		2700K	
m	Ø (m)	Lux Emed/Emax	
1m	0,67	1457/1964	
2m	1,35	364/491	
3m	2,03	161/218	
4m	2,71	91/123	

1950cd

36°		3000K	
m	Ø (m)	Lux Emed/Emax	
1m	0,67	1480/2013	
2m	1,35	370/503	
3m	2,03	164/223	
4m	2,71	93/126	

2000cd

hide a lite
choice

We focus on sustainability using recycled material for creating innovative luminaires, as well as replaceable LEDs and drivers.

Luminaires built for the future!