



## OPTIC SPOT XS 36° BLACK

Discrete, compact and highly glare-free spotlight with fixing bracket for recessed installation in ceilings. 230V luminaire with integrated dimmable driver. Replaceable LED and driver – built for the future Adjustable 90° and rotatable 355° – when installing the luminaire in a sloping ceiling, it is easier to direct the light towards specific areas, such as walls or pictures, which gives a better result than with recessed downlights. Using the DIP-Switch colour temp function, colour temperature is easily adjusted with the touch of a button on the back of the luminaire. Our luminaire with reflector technology is optimised to create a highly glare-free and sharp light distribution that directs the light on whatever you want to highlight. For improved glare reduction, the Honeycomb accessory can be added to the luminaire. You can easily replace the reflector with a lens accessory to adjust the light distribution as needed.

### DESCRIPTION

<b>GTIN:</b>	7392971151267
<b>Item Name:</b>	Optic Spot XS 36° Black
<b>Warranty:</b>	5 years

## LIGHT TECHNICAL DATA

<b>Max. Luminaire Lumen (lm):</b>	770
<b>Light Source:</b>	LED
<b>Replaceability:</b>	Replaceable LED by professional, Replaceable Control gear by professional
<b>LED Colour:</b>	Warm White
<b>Colour Temperature (K):</b>	2700, 3000
<b>Colour Rendering Index (Ra):</b>	>90
<b>Colour Consistency (SDCM):</b>	3
<b>Luminous Intensity (cd):</b>	2000
<b>Beam Angle (°):</b>	36
<b>Light sharing:</b>	Symmetric
<b>Light Outlet:</b>	Direct
<b>Number of Lamps (pcs):</b>	1
<b>Number of LED (pcs):</b>	1
<b>Life Time:</b>	h Ta °C
<b>Nominal Life Time (h):</b>	100000
<b>Lumen maintenance 50 000h:</b>	L90
<b>Lumen maintenance 75 000h:</b>	L84
<b>Lumen maintenance 100 000h:</b>	L81
<b>LLMF @ 50 000h:</b>	0.9
<b>LLMF @ 100 000h:</b>	0.81
<b>Life Time Driver:</b>	100 000h/8%
<b>Flicker (PstLM):</b>	0,01
<b>Stroboscopic effect (SVM):</b>	0,01

## TECHNICAL DATA

<b>Adjustable:</b>	Yes
<b>Tilttable (°):</b>	90
<b>Rotatable (°):</b>	350
<b>Voltage (type):</b>	AC
<b>Voltage Interval (V):</b>	220...240V
<b>Voltage Nominal (V):</b>	230
<b>Line Frequency (Hz):</b>	50
<b>Power LED (W):</b>	8,1
<b>Max. Power Luminaire (W):</b>	9,7
<b>Max. System Power (W):</b>	9,7
<b>Max. Efficiency Luminaire (lm/W):</b>	79,4
<b>Max. Efficiency System (lm/W):</b>	79,4
<b>Containing light source energy efficiency class (EU) 2019/2015:</b>	F
<b>Eprel registration number:</b>	2257933

## OPERATION AND CONNECTION

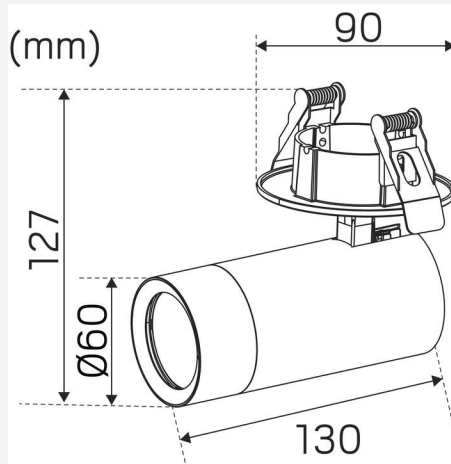
<b>Dimmable:</b>	Yes
<b>Type of Dimming:</b>	Trailing Edge
<b>Driver Included:</b>	Yes - replaceable
<b>Driver Model:</b>	Constant Current
<b>Driver Type:</b>	Built-in
<b>Driver Manufacturer:</b>	Hide-a-lite
<b>Connection (type):</b>	Quick Terminal
<b>Length Connection (cm):</b>	25
<b>Connection (mm<sup>2</sup>):</b>	3x0,5-2,5
<b>Through Wiring:</b>	Yes
<b>Strain Relief:</b>	Yes
<b>Power Factor <math>\lambda</math>:</b>	0,9
<b>Efficiency (%):</b>	83
<b>Power loss (W):</b>	1,6
<b>Leakage current (mA) (at 230 V, 50 Hz, full load):</b>	0,05
<b>THD (%):</b>	16
<b>Constant Current (mA):</b>	220
<b>Min. Ta (°C):</b>	-20
<b>Max. Ta (°C):</b>	40
<b>Max. Tc (°C):</b>	85
<b>Dimming secondary side:</b>	AM
<b>Protection Against:</b>	Short Circuit, Overheating 120°C, Overload
<b>Inrush current (max/time):</b>	3A 42 $\mu$ s
<b>Mains surge protection DM (kV):</b>	1
<b>Mains surge protection CM (kV):</b>	2
<b>Fuse B10 (pcs):</b>	46
<b>Fuse B16 (pcs):</b>	75
<b>Fuse C10 (pcs):</b>	75
<b>Fuse C16 (pcs):</b>	125

## COLOR AND MATERIAL

<b>Material:</b>	Aluminium
<b>Color:</b>	Black
<b>Environmental Assessment:</b>	Byggvarubedömningen

## MEASUREMENT AND INSTALLATION

<b>Operating Environment:</b>	Indoor / dry locations
<b>IP Degree of Protection:</b>	20
<b>Protection Class:</b>	I
<b>Installation:</b>	Ceiling, Built-in
<b>Mounting Installation:</b>	Mounting Spring
<b>Ceiling Thickness Interval (mm):</b>	3-30mm
<b>Approval Marks:</b>	CE, a Hide-a-lite Choice
<b>Filament Test IEC 695-2-1(°C):</b>	650
<b>Length (mm):</b>	130
<b>Width (mm):</b>	90
<b>Height (mm):</b>	127
<b>Diameter (mm):</b>	60
<b>Weight (kg):</b>	0,51
<b>Height Recessed Part (mm):</b>	40
<b>Height Exterior Part (mm):</b>	87
<b>Built-in <math>\varnothing</math> (mm):</b>	70-85mm



36°		2700K	
m	Ø (m)	Lux Emed/Emax	
1m	0,67	1457/1964	
2m	1,35	364/491	
3m	2,03	161/218	
4m	2,71	91/123	
<b>1950cd</b>			

36°		3000K	
m	Ø (m)	Lux Emed/Emax	
1m	0,67	1480/2013	
2m	1,35	370/503	
3m	2,03	164/223	
4m	2,71	93/126	
<b>2000cd</b>			

hideolite  
choice

We focus on sustainability using recycled material for creating innovative luminaires, as well as replaceable LEDs and drivers.

Luminaires built for the future!