

SKY OP 600X600 DALI Q-BOX MICRO

Efficient LED panel available with opal or microprismatic diffuser. Ideal for installation in ceilings with visible T-bars, making it perfect for office environments, schools, and areas where uniform and glare-free lighting is crucial. A surface-mount frame with pre-punched holes for cable routing is available as an accessory. Selectable colour temperature via DIP-switch ColourTemp: 3000K or 4000K. Sky MP meets screen and UGR requirements (UGR≤ 19) in accordance with EN 12464-1 under standard conditions. Dimmable panels come with a 2 m pre-mounted cable set, Linect, or linkable Q-box. DALI-2 with Linect or Q-box and DALI CLO with Q-box—delivered with plug and driver. DIM 600x600 is also available in a 5-pack for efficient installation in larger projects.

DESCRIPTION

GTIN:	7392971143729
Item Name:	Sky OP 600x600 DALI Q-Box Micro
Warranty:	5 years

LIGHT TECHNICAL DATA

Max. Luminaire Lumen (lm):	5050
Light Source:	LED
Light Source Included:	Yes
Replaceability:	Non-replaceable LED, Replaceable Control gear by professional
LED Colour:	Warm White
Colour Temperature (K):	3000, 4000
Colour Rendering Index (Ra):	>80
Colour Consistency (SDCM):	3
Luminous Intensity (cd):	1750
Beam Angle (°):	120
Light sharing:	Symmetric
Light Outlet:	Direct
Number of Lamps (pcs):	1
Life Time:	h Ta °C
Nominal Life Time (h):	100000
Lumen maintenance 50 000h:	L90
Lumen maintenance 75 000h:	L85
Lumen maintenance 100 000h:	L81
LLMF @ 50 000h:	0.9
LLMF @ 100 000h:	0.81
Life Time Driver:	100 000h/20%
Flicker (PstLM):	0,036
Stroboscopic effect (SVM):	0,01

TECHNICAL DATA

Voltage (type):	AC
Voltage Interval (V):	220...240V
Voltage Nominal (V):	230
Line Frequency (Hz):	50
Power LED (W):	39
Max. Power Luminaire (W):	42
Max. System Power (W):	42
Max. Efficiency Luminaire (lm/W):	120
Max. Efficiency System (lm/W):	120

Containing light source energy efficiency class (EU) 2019/2015: D

OPERATION AND CONNECTION

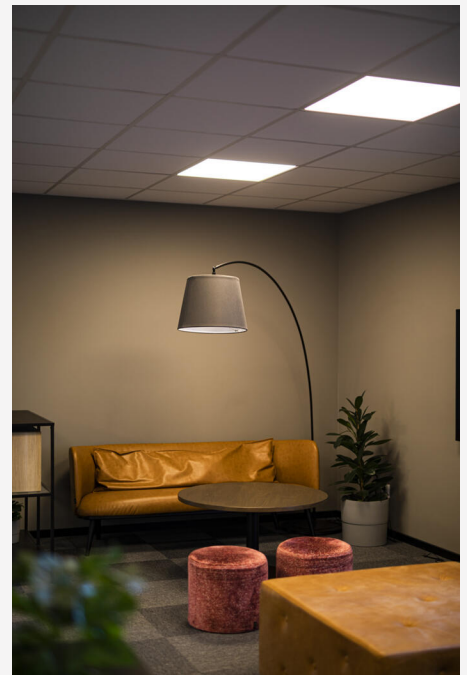
Dimmable:	Yes
Type of Dimming:	DIP-Switch Power, Push 230V, DALI 2, 1-10V
Driver Included:	Yes
Driver Model:	Constant Current
Driver Type:	Stand Alone
Driver Manufacturer:	Hide-a-lite
Connection (type):	Quick Terminal
Connection (mm2):	5x0,75-2,5
Through Wiring:	Yes
Strain Relief:	Yes
Power Factor λ :	0,9
Efficiency (%):	88
Power loss (W):	3
Standby Power:	0,5
Constant Current (mA):	600, 700, 750, 800, 850, 900, 950, 1050
Min. Ta (°C):	-10
Max. Ta (°C):	40
Max. Tc (°C):	55
Dimming secondary side:	PWM
Frequency PWM dimming (Hz):	>300
Protection Against:	Short Circuit, Overheating 120°C, Overload
Inrush current (max/time):	25A 52 μ s
Mains surge protection DM (kV):	1
Fuse B10 (pcs):	27
Fuse B16 (pcs):	43
Fuse C10 (pcs):	27
Fuse C16 (pcs):	43

COLOR AND MATERIAL

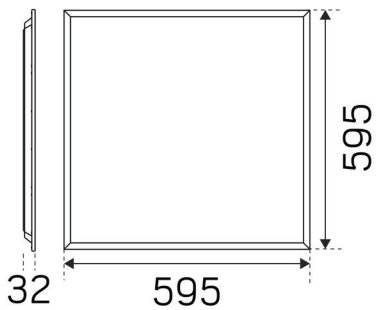
Material:	Aluminium
Color:	White
Environmental Assessment:	Byggvarubedömningen, EPD

MEASUREMENT AND INSTALLATION

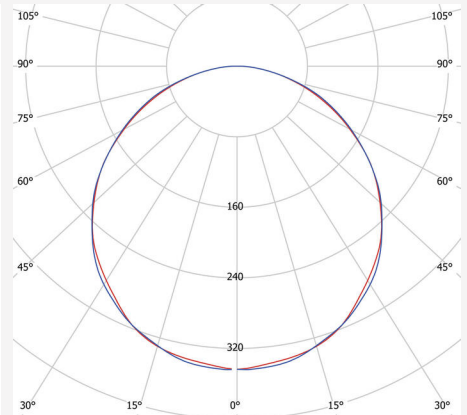
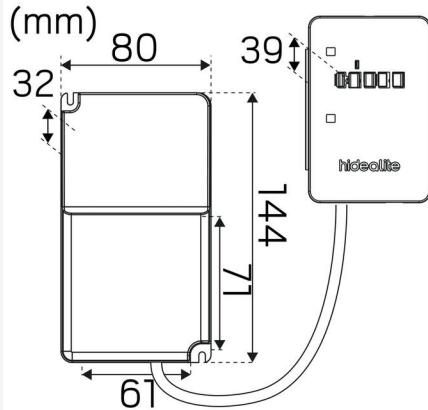
Operating Environment:	Indoor / dry locations
IP Degree of Protection:	40
Protection Class:	II
Installation:	Built-in
Mounting Installation:	Mounting Frame
Height Surface Mounted (mm):	70
Approval Marks:	CE
Filament Test IEC 695-2-1(°C):	650
Length (mm):	595
Width (mm):	595
Height (mm):	25
Weight (kg):	2,128
Min. Built-in (mm):	600x600x70
Built-in LxB (mm):	600x600



(mm)



(mm)





Sky OP			
mA	Lumen 3000K	Lumen 4000K	Effect
600mA	2950lm	3050lm	24W
700mA	3450lm	3500lm	28W
750mA	3650lm	3750lm	30W
800mA	3800lm	3900lm	32W
850mA	4150lm	4250lm	34W
900mA	4300lm	4400lm	36W
950mA	4500lm	4600lm	38W
1050mA	4950lm	5050lm	42W

Sky MP			
mA	Lumen 3000K	Lumen 4000K	Effect
600mA	2850lm	2950lm	24W
700mA	3300lm	3350lm	28W
750mA	3500lm	3600lm	30W
800mA	3650lm	3750lm	32W
850mA	3950lm	4050lm	34W
900mA	4100lm	4200lm	36W
950mA	4300lm	4400lm	38W
1050mA	4750lm	4850lm	42W

