

SKY MP 600X600 DALI CLO Q-BOX MICRO

Efficient LED panel available with opal or microprismatic diffuser. Ideal for installation in ceilings with visible T-bars, making it perfect for office environments, schools, and areas where uniform and glare-free lighting is crucial. A surface-mount frame with pre-punched holes for cable routing is available as an accessory. Selectable colour temperature via DIP-switch ColourTemp: 3000K or 4000K. Sky MP meets screen and UGR requirements (UGR≤ 19) in accordance with EN 12464-1 under standard conditions. Dimmable panels come with a 2 m pre-mounted cable set, Linect, or linkable Q-box. DALI-2 with Linect or Q-box and DALI CLO with Q-box—delivered with plug and driver. DIM 600x600 is also available in a 5-pack for efficient installation in larger projects.

DESCRIPTION

GTIN:	7392971153629
Item Name:	Sky MP 600x600 DALI CLO Q-Box Micro
Warranty:	5 years

LIGHT TECHNICAL DATA

Max. Luminaire Lumen (lm):	3940
Light Source:	LED
Light Source Included:	Yes
Replaceability:	Non-replaceable LED, Replaceable Control gear by professional
LED Colour:	Warm White
Colour Temperature (K):	3000, 4000
Colour Rendering Index (Ra):	>80
Colour Consistency (SDCM):	3
Luminous Intensity (cd):	1740
Beam Angle (°):	90
Light sharing:	Symmetric
Light Outlet:	Direct
Number of Lamps (pcs):	1
Number of LED (pcs):	138
Life Time:	h Ta °C
Nominal Life Time (h):	100000
Lumen maintenance 50 000h:	L100
Lumen maintenance 75 000h:	L100
Lumen maintenance 100 000h:	L100
LLMF @ 50 000h:	1
LLMF @ 100 000h:	1
Life Time Driver:	100 000h/10%
Flicker (PstLM):	0,013
Stroboscopic effect (SVM):	0,001

TECHNICAL DATA

Voltage (type):	AC
Voltage Interval (V):	220...240V
Voltage Nominal (V):	230
Line Frequency (Hz):	50
Power LED (W):	39
Max. Power Luminaire (W):	42
Max. System Power (W):	42
Max. Efficiency Luminaire (lm/W):	94
Max. Efficiency System (lm/W):	94
Containing light source energy efficiency class (EU) 2019/2015: E	

OPERATION AND CONNECTION

Dimmable:	Yes
Type of Dimming:	DALI 2 CLO
Driver Included:	Yes
Driver Model:	Constant Current
Driver Type:	Stand Alone
Driver Manufacturer:	Hide-a-lite
Connection (type):	Quick Terminal
Connection (mm2):	5x0,75-2,5
Through Wiring:	Yes
Strain Relief:	Yes
Power Factor λ:	0,9
Efficiency (%):	86
Power loss (W):	5,88
Leakage current (mA) (at 230 V, 50 Hz, full load):	0,5
THD (%):	10
Standby Power:	1
Constant Current (mA):	840
Min. Ta (°C):	-20
Max. Ta (°C):	45
Max. Tc (°C):	80
Dimming secondary side:	PWM
Frequency PWM dimming (Hz):	>300
Memory Function Power Failure:	Yes
Protection Against:	Short Circuit, Overheating 120°C, Overload
Inrush current (max/time):	26A 86 μ s
Mains surge protection DM (kV):	1
Fuse B10 (pcs):	11
Fuse B16 (pcs):	18
Fuse C10 (pcs):	19
Fuse C16 (pcs):	31

COLOR AND MATERIAL

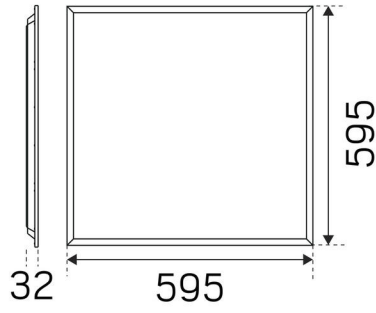
Material:	Aluminium
Color:	White
Environmental Assessment:	Byggvarubedömningen, EPD
SCIP:	83604676-44a8-4dd6-a6f2-02248f3282e6

MEASUREMENT AND INSTALLATION

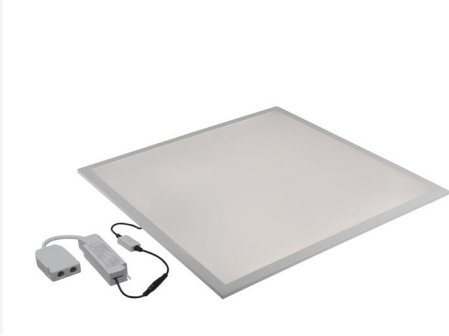
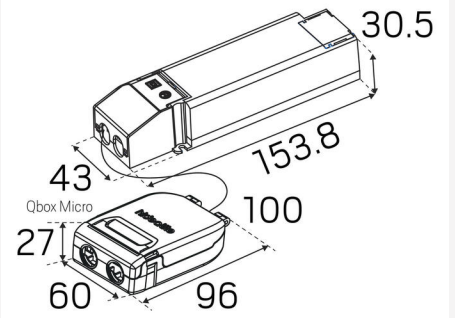
Operating Environment:	Indoor / dry locations
IP Degree of Protection:	40
Protection Class:	II
Installation:	Built-in
Mounting Installation:	Mounting Frame
Height Surface Mounted (mm):	70
Approval Marks:	CE
Filament Test IEC 695-2-1(°C):	650
Length (mm):	595
Width (mm):	595
Height (mm):	25
Weight (kg):	1,56
Min. Built-in (mm):	600x600x70
Built-in LxB (mm):	600x600



(mm)



(mm)



SKY-CLO

hideaLite

- Sky DP 600x600 DALI/CLO-D-8w Micro
- Sky MP 600x600 DALI/CLO-D-8w Micro
- Sky DP 300x300 DALI/CLO-D-8w Micro
- Sky MP 300x300 DALI/CLO-D-8w Micro

