



A+

COMFORT G2 WHITE 3000K

Recessed LED luminaire for direct 230V installation. The luminaire has a patented Comfort Lens, is adjustable 30° and can be controlled with many of the most common dimmers available on the market. Comes with mains dimmable driver with push-in terminals and screwless strain relief for rapid installation. Can be used for through wiring. Can be installed under moisture barrier together with our Spot Guard Gles.

DESCRIPTION

GTIN: 7392971127774
Item Name: Comfort G2 White 3000K

LIGHT TECHNICAL DATA

Light Source:	LED
Light Source Included (type):	LED not exchangeable
Instant Full Light:	No
LED Colour:	Warm White
Colour Temperature (K):	3000
Colour Rendering Index (Ra):	>80
Colour Consistency (SDCM):	3
Luminous Intensity (cd):	1420
Luminaire Lumen (lm):	615
Beam Angle (°):	36
Light sharing:	Symmetric
Light Outlet:	Direct
Number of Lamps (pcs):	1
Number of LED (pcs):	1
Life Time:	(L70) 40 000h Ta 45°C
Nominal Life Time (h):	40000

TECHNICAL DATA

Adjustable:	Yes
Tilttable (°):	30
Voltage (type):	AC
Voltage Interval (V):	220...240
Voltage Nominal (V):	230
Line Frequency (Hz):	50, 60
Power LED (W):	6,7
Power Luminaire (W):	8
System Power (W):	8
Efficiency LED (lm/W):	83
Efficiency Luminaire (lm/W):	70
Efficiency System (lm/W):	70
Energy Efficiency Class:	A+

OPERATION AND CONNECTION

Driver Included:	Yes
Driver Model:	Constant Current
Driver Type:	Stand Alone
Connection (type):	Quick Terminal
Through Wiring:	Yes
Strain Relief:	Yes
Operating Temperature:	-10...+45
Max. Tc (°C):	85
Dimmable:	Yes
Type of Dimming:	Trailing Edge, Leading Edge
Memory Function Power Failure:	Yes
Fuse B10 (pcs):	51
Fuse B16 (pcs):	82
Fuse C10 (pcs):	86
Fuse C16 (pcs):	137

COLOR AND MATERIAL

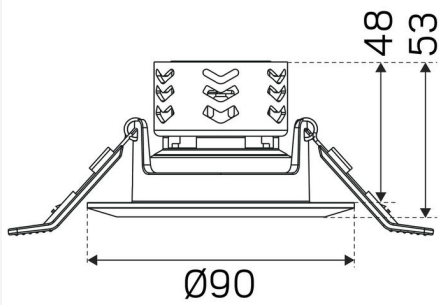
Material:	Aluminium
Color:	White
Color Code (RAL):	9016

MEASUREMENT AND INSTALLATION

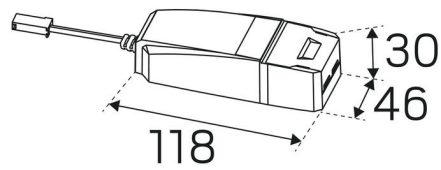
Operation Environment:	Indoor
IP Degree of Protection:	21
Installation:	Built-in
Mounting Installation:	Mounting Spring
Ceiling Thickness Interval (mm):	1-28
Fire Safety Marks:	Not in insulation without protection cover
Protection Cover:	7466700, 7466701, 7466702
Approval Marks:	CE, SELV
Protection Class:	II
Height (mm):	53
Diameter (mm):	90
Weight (kg):	0,17
Min. Built-in (mm):	300x228x60
Min. Air Volume (cm ³):	4100
Height Recessed Part (mm):	48
Height Exterior Part (mm):	5
Min. Built-in (Ø mm):	70
Max. Built-in (Ø mm):	75



(mm)



(mm)



This LED downlight contains built-in LED lamps.

The lamps cannot be changed in the luminaire.

hideolite Comfort G2

874/2012

A++

A+

A

B

C

D

E

F

L

E

D

