



A Modern LED luminaire with retro-look and pleasant indirect up and downlight, giving a decorative light pattern on the wall. Perfect as decorative lighting in both private and public areas. Versions available in wood veneer or white enamel aluminium. Comes complete with integrated dimmable driver. Dimmable with the most commonly available dimmers on the market.

DESCRIPTION

GTIN: 7392971129440

LIGHT TECHNICAL DATA

Light Source:	LED
Light Source Included (type):	LED not exchangeable
LED Colour:	Warm White
Colour Temperature (K):	3000
Colour Rendering Index (Ra):	>90
Colour Consistency (SDCM):	3
Luminaire Lumen (lm):	470
Beam Angle (°):	150
Light sharing:	Symmetric
Light Outlet:	Indirect
Number of Lamps (pcs):	1
Number of LED (pcs):	1
Life Time:	L70 50 000h Ta 25°C
Nominal Life Time (h):	50000

TECHNICAL DATA

Adjustable:	No
Voltage (type):	AC
Voltage Interval (V):	220...240
Voltage Nominal (V):	230
Line Frequency (Hz):	50
Power Luminaire (W):	9
System Power (W):	9
Efficiency Luminaire (lm/W):	52
Efficiency System (lm/W):	52
Energy Efficiency Class:	A

OPERATION AND CONNECTION

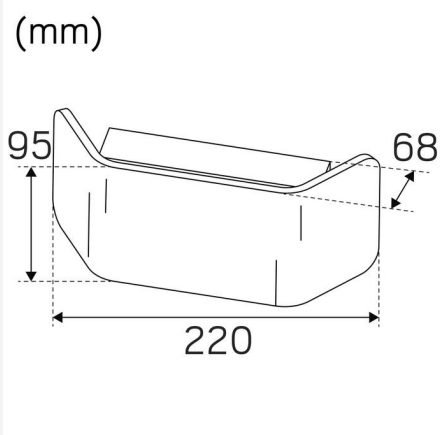
Driver Included:	Yes
Driver Model:	Constant Current
Connection (type):	Screw Terminals
Constant Current (mA):	500
Operating Temperature:	-20...+45
Max. Tc (°C):	80
Dimmable:	Yes
Type of Dimming:	Trailing Edge

COLOR AND MATERIAL

Material:	Aluminium
Mercury Free:	No
Color:	Walnut

MEASUREMENT AND INSTALLATION

Operation Environment:	Indoor / dry locations
IP Degree of Protection:	20
Installation:	Surface mounted
Mounting Installation:	Screw Mounting
Approval Marks:	CE
Protection Class:	I
Width (mm):	220
Height (mm):	95
Depth (mm):	68
Weight (kg):	0,57





This luminaire contains built-in LED lamps.

The lamps cannot be changed in the luminaire.

hidealite Shade 874/2012

A++	} LED
A+	
A	
B	
C	
D	
E	
F	

874/2012