



A+

## GLOBE G2 RECESSED BLACK 2700K

Exclusive downlight in modern design with cupped reflector. High lumen output and deeply placed light source provide a glare-free light. The appearance of the luminaire can be reinforced with reflectors in various colours to match choices of materials and interior. Globe G2 is the natural choice for homes as well as hotels and restaurants. Complete with mains dimmable driver, 3-pole push-in terminal for through wiring and strain relief for cable or flex hose 16 mm. Dimmable with the most commonly available dimmers on the market.

### DESCRIPTION

<b>GTIN:</b>	7392971136158
<b>Item Name:</b>	Globe G2 Recessed Black 2700K
<b>Warranty:</b>	5 years

### LIGHTING DATA

<b>Light Source:</b>	LED
<b>Light Source Included (type):</b>	LED not exchangeable
<b>LED Colour:</b>	Warm White
<b>Colour Temperature (K):</b>	2700
<b>Colour Rendering Index (Ra):</b>	>90
<b>Colour Consistency (SDCM):</b>	3
<b>Luminous Intensity (cd):</b>	1370
<b>Luminaire Lumen (lm):</b>	620
<b>Beam Angle (°):</b>	36
<b>Light sharing:</b>	Symmetric
<b>Light Outlet:</b>	Direct
<b>Number of Lamps (pcs):</b>	1
<b>Number of LED (pcs):</b>	1

## TECHNICAL DATA

<b>Adjustable:</b>	No
<b>Life Time:</b>	(L70) 80 000h Ta 25°C
<b>Nominal Life Time (h):</b>	80000
<b>Life Time Driver:</b>	50 000h/3%
<b>Voltage (type):</b>	AC
<b>Voltage Interval (V):</b>	220...240
<b>Voltage Nominal (V):</b>	230
<b>Line Frequency (Hz):</b>	50
<b>Power LED (W):</b>	6,5
<b>Power Luminaire (W):</b>	8
<b>System Power (W):</b>	8
<b>Efficiency LED (lm/W):</b>	95
<b>Efficiency Luminaire (lm/W):</b>	78
<b>Efficiency System (lm/W):</b>	78
<b>Energy Efficiency Class:</b>	A+

## OPERATION AND CONNECTION

<b>Driver Included:</b>	Yes
<b>Driver Model:</b>	Constant Current
<b>Driver Type:</b>	Stand Alone
<b>Connection (type):</b>	Quick Terminal
<b>Connection (mm2):</b>	3x0,5-2,5
<b>Through Wiring:</b>	Yes
<b>Strain Relief:</b>	Yes
<b>Protection Against:</b>	Short Circuit, Overheating 110°C, Overload
<b>Operating Temperature:</b>	-20...+40
<b>Max. Tc (°C):</b>	85
<b>Dimmable:</b>	Yes
<b>Type of Dimming:</b>	Trailing Edge, Leading Edge
<b>Memory Function Power Failure:</b>	No
<b>Fuse B10 (pcs):</b>	60
<b>Fuse B16 (pcs):</b>	90
<b>Fuse C10 (pcs):</b>	73
<b>Fuse C16 (pcs):</b>	110


## COLOR AND MATERIAL

<b>Material:</b>	Aluminium
<b>Color:</b>	Black
<b>Color Code (RAL):</b>	9017

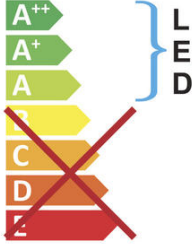
## MEASUREMENT AND INSTALLATION

<b>Operation Environment:</b>	Indoor
<b>IP Degree of Protection:</b>	44
<b>Installation:</b>	Built-in
<b>Mounting Installation:</b>	Mounting Spring
<b>Ceiling Thickness Interval (mm):</b>	3-40
<b>Fire Safety Marks:</b>	Not in insulation without protection
COVER	
<b>Protection Cover:</b>	7466700, 7466701, 7466702
<b>Approval Marks:</b>	CE
<b>Filament Test IEC 695-2-1(°C):</b>	650
<b>Protection Class:</b>	II
<b>Height (mm):</b>	58
<b>Diameter (mm):</b>	103
<b>Weight (kg):</b>	0,28
<b>Min. Built-in (mm):</b>	250x250x60
<b>Min. Air Volume (cm3):</b>	3118
<b>Height Recessed Part (mm):</b>	55
<b>Height Exterior Part (mm):</b>	3
<b>Min. Built-in (Ø mm):</b>	92
<b>Max. Built-in (Ø mm):</b>	96



 This luminaire contains built-in LED lamps.

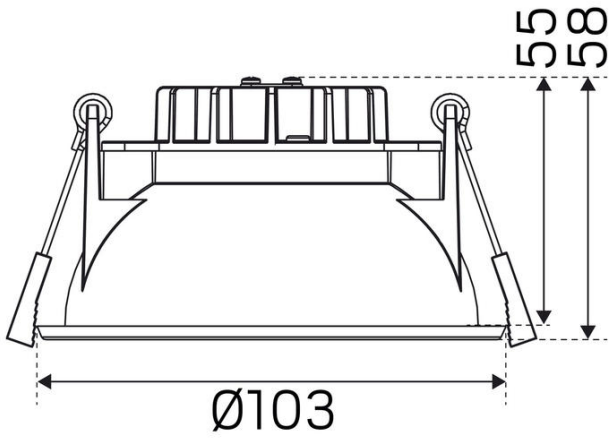
The lamps cannot be changed in the luminaire.

 LED

hidealite Globe G2 Recessed

874/2012

(mm)



(mm)

