



LITELINE IP66+ 1500

Liteline IP66+ is a luminaire for demanding environments, designed to withstand corrosive conditions and suitable for spaces such as pig pens, cow sheds and horse stables. The well-thought-out design allows connection and access to drivers without opening the housing. Control the lighting via On/Off or DALI. The sliding brackets make installation quick and easy. With Liteline IP66+, you get a replaceable LED and driver, as well as the possibility of choosing colour temperature 3000K/4000K and adjusting lumen output via DIP-switch. Through wiring On/Off 5x2.5 mm². M20 cable gland in each end cap and an extra accessory with two M20 screw connections if needed. Diffuser in PMMA and end caps in PC. Adapted for installation on luminaire rail, keyhole for installation in ceiling and integrated wire suspension with hook and hook lock. D-marked for protection against increased fire risk.

DESCRIPTION

GTIN:	7392971150642
Item Name:	Liteline IP66+ 1500
Warranty:	5 years

LIGHT TECHNICAL DATA

Max. Luminaire Lumen (lm):	8550
Light Source:	LED
Light Source Included:	Yes
Replaceability:	Replaceable LED by professional, Replaceable Control gear by professional
LED Colour:	White
Colour Temperature (K):	3000, 4000
Colour Rendering Index (Ra):	>80
Colour Consistency (SDCM):	3
Luminous Intensity (cd):	2990
Beam Angle (°):	105
Light sharing:	Symmetric
Light Outlet:	Direct
Number of Lamps (pcs):	1
Number of LED (pcs):	442
Life Time:	L80 100000h Ta 25°C
Nominal Life Time (h):	100000
Lumen maintenance 50 000h:	L92
Lumen maintenance 75 000h:	L85
Lumen maintenance 100 000h:	L80
LLMF @ 50 000h:	0.92
LLMF @ 100 000h:	0.8
Life Time Driver:	100 000h/10%
Flicker (PstLM):	1
Stroboscopic effect (SVM):	0,4

TECHNICAL DATA

Voltage (type):	AC
Voltage Interval (V):	220...240V
Voltage Nominal (V):	230
Line Frequency (Hz):	50
Max. Power Luminaire (W):	55
Max. System Power (W):	55
Max. Efficiency Luminaire (lm/W):	155,5
Max. Efficiency System (lm/W):	155,5

Containing light source energy efficiency class (EU) 2019/2015: C

OPERATION AND CONNECTION

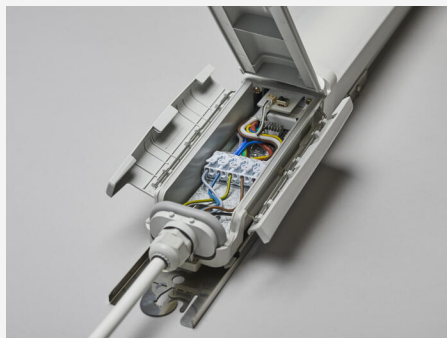
Dimmable:	No
Type of Dimming:	DIP-Switch Power, OnOff
Driver Included:	Yes - replaceable
Driver Model:	Constant Current
Driver Type:	Built-in
Driver Manufacturer:	Tridonic
Connection (type):	Quick Terminal
Connection (mm²):	5x0,5-2,5
Through Wiring:	Yes
Strain Relief:	Yes
Power Factor λ:	0,93
Efficiency (%):	95
THD (%):	10
Constant Current (mA):	700, 850, 900, 1050
Min. Ta (°C):	-25
Max. Ta (°C):	35
Max. Tc (°C):	80
Protection Against:	Short Circuit, Overload
Mains surge protection DM (kV):	4
Fuse B10 (pcs):	22
Fuse B16 (pcs):	35
Fuse C10 (pcs):	23
Fuse C16 (pcs):	35

COLOR AND MATERIAL

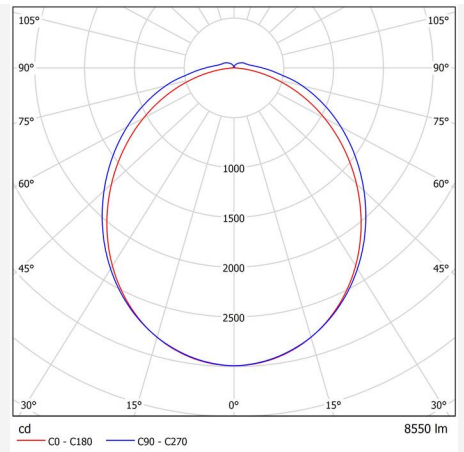
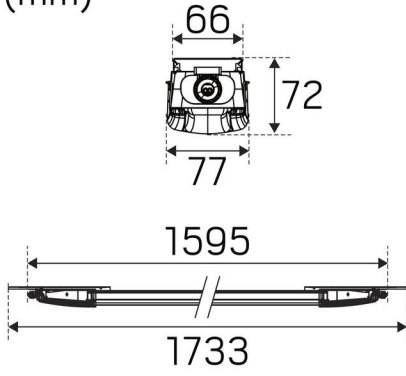
Material:	Recycled, Plastic
Color:	Grey
Environmental Assessment:	EPD
Available in special color:	No

MEASUREMENT AND INSTALLATION

Operating Environment:	Indoor / wet locations
IP Degree of Protection:	66
Protection Class:	I
Installation:	Ceiling, Wall, Surface mounted, Wire-cable installation
Mounting Installation:	Screw Mounting, Hook
Fire Safety Marks:	D-mark
Approval Marks:	CE, a Hide-a-lite Choice
Impact Strength:	IK07
Filament Test IEC 695-2-1(°C):	650
Length (mm):	1595
Width (mm):	77
Height (mm):	72
Weight (kg):	3,2



(mm)



LITELINE IP66+ 1500 ON/OFF DIP-POWER

mA	Watt	3000K	4000K
700mA	36W	5500lm	5750lm
850mA	45W	6700lm	7050lm
900mA	47W	7050lm	7400lm
1050mA	55W	8100lm	8550lm

Factory setting: 1050mA, 4000K



ELEKTRO ELCO
LITELINE IP66+ 1500
✓ Resistance to ammonia
✓ Cleaning distance
✓ Flicker free
DLG Test Report 7553



hideo lite
choice

We focus on sustainability using recycled material for creating innovative luminaires, as well as replaceable LEDs and drivers.

Luminaires built for the future!