



INDLINE BASIC IP23 M 85°

Indline Basic is a basic industrial luminaire – a cost-effective solution for replacing old T5 and T8 fluorescent tube installations. Available in two sizes, M and L, as well as the choice of On/Off or DALI. The well-thought-out design allows for replacement of both LEDs and drivers, which simplifies maintenance. On/Off can be adjusted to a lower lumen output and wattage via DIP-Switch Power. With a microprismatic louvre, it provides a good, even lumen output. The luminaire is supplied with opening end caps.

DESCRIPTION

GTIN:	7392971150680
Item Name:	Indline Basic IP23 M 85°
Warranty:	5 years

LIGHT TECHNICAL DATA

Min. Armaturlumen (lm):	5050
Max. Luminaire Lumen (lm):	8700
Light Source:	LED
Light Source Included:	Yes
Replaceability:	Replaceable LED by professional, Replaceable Control gear by professional
LED Colour:	White
Colour Temperature (K):	4000
Colour Rendering Index (Ra):	>80
Colour Consistency (SDCM):	3
Luminous Intensity (cd):	4551
Beam Angle (°):	85
Light sharing:	Symmetric
Light Outlet:	Direct, Medium Beam
Number of Lamps (pcs):	1
Number of LED (pcs):	232
Life Time:	L70 100000h Ta 25°C
Nominal Life Time (h):	100000
Lumen maintenance 50 000h:	L89
Lumen maintenance 75 000h:	L84
Lumen maintenance 100 000h:	L70
LLMF @ 50 000h:	0.89
LLMF @ 100 000h:	0.7
Life Time Driver:	100 000h/10%
Flicker (PstLM):	0,1
Stroboscopic effect (SVM):	0,1

TECHNICAL DATA

Voltage (type):	AC
Voltage Interval (V):	220...240V
Voltage Nominal (V):	230
Line Frequency (Hz):	50
Max. Power Luminaire (W):	59
Max. System Power (W):	59
Max. Efficiency Luminaire (lm/W):	147,5
Max. Efficiency System (lm/W):	147,5

OPERATION AND CONNECTION

Dimmable:	No
Type of Dimming:	DIP-Switch Power, OnOff
Driver Included:	Yes - replaceable
Driver Model:	Constant Current
Driver Type:	Built-in
Driver Manufacturer:	Tridonic
Connection (type):	Quick Terminal
Connection (mm²):	5x0,5-2,5
Through Wiring:	Yes
Strain Relief:	Yes
Power Factor λ:	0,92
Efficiency (%):	90
Leakage current (mA) (at 230 V, 50 Hz, full load):	0,5
THD (%):	10
Constant Current (mA):	200, 250, 300, 350
Min. Ta (°C):	-25
Max. Ta (°C):	40
Max. Tc (°C):	75
Protection Against:	Short Circuit, Overload
Mains surge protection DM (kV):	2
Fuse B10 (pcs):	15
Fuse B16 (pcs):	25
Fuse C10 (pcs):	15
Fuse C16 (pcs):	25

COLOR AND MATERIAL

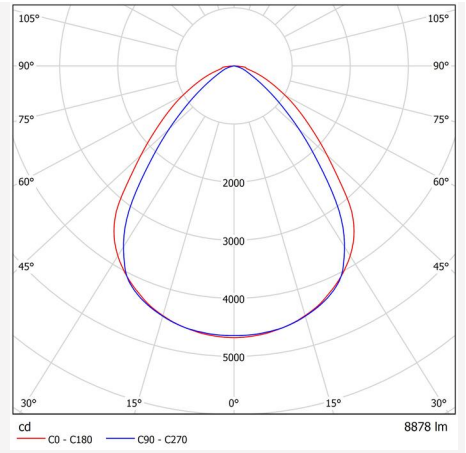
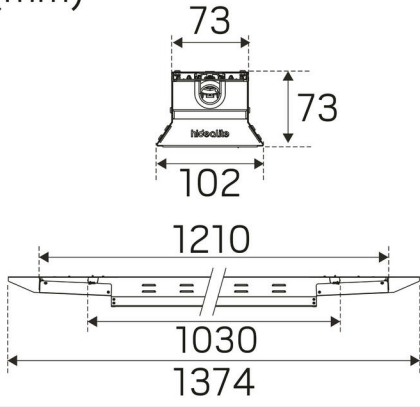
Material:	Metal, Sheet metal
Color:	Aluzinc
Environmental Assessment:	Byggvarubedömningen, EPD
Available in special color:	No

MEASUREMENT AND INSTALLATION

Operating Environment:	Indoor / damp locations
IP Degree of Protection:	23
Protection Class:	I
Installation:	Surface mounted, Wire-cable installation
Mounting Installation:	Screw Mounting, Hook
Approval Marks:	CE, a Hide-a-lite Choice
Impact Strength:	IK03
Filament Test IEC 695-2-1(°C):	650
Length (mm):	1374
Width (mm):	102
Height (mm):	73
Weight (kg):	3,05



(mm)



We focus on sustainability using recycled material for creating innovative luminaires, as well as replaceable LEDs and drivers.

Luminaires built for the future!