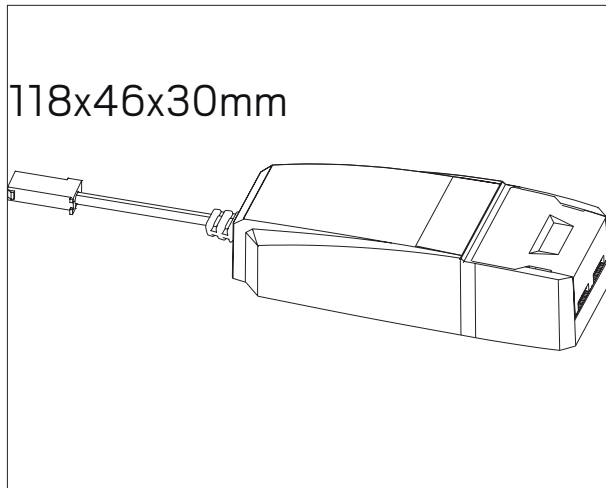


Converter FDIM 600 / 660

hidealite



E-nr, Snro, El.nr	Name	Effect	Numbers of LED	Input cables
79 803 76 40 113 32 66 210 87	Converter FDIM 600mA	18VDC ≈11W 600mA	1pcs LED	0,5-1,5mm ²
79 803 77 40 113 33 66 210 86	Converter FDIM 660mA	18VDC ≈11,5W 660mA	1pcs LED	0,5-1,5mm ²



For explanation of symbols see www.hidealite.se

sv

LED-drivdon är ett fasdimningsbart drivdon (bakkant) till vår Comfort-serie. (74 513 02, 74 513 03, 74 513 22, 74 513 23, 74 622 52, 74 622 53.)

en

LED power supply is a phase dimmable power supply (trailing edge), for our Comfort series. (74 513 02, 74 513 03, 74 513 22, 74 513 23, 74 622 52, 74 622 53.)

fi

Vaihehimmennettävä LED-ohjain Comfort -sarjan valaisimille. Voidaan himmentää perinteisellä transistori himmentimellä. (42 017 75, 42 017 76, 42 017 77, 42 017 78, 42 867 96, 42 867 91)

no

LED-drivderen har innebygget faseavsnitt dimmer(bakkant) og brukes til vår Comfort-serie. (32 556 19, 32 556 20, 32 556 21, 32 556 22, 32 057 04, 32 057 05)