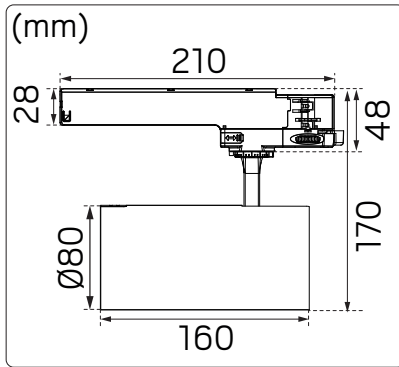


Vision Track L / Vision Track L Pro

hidealite

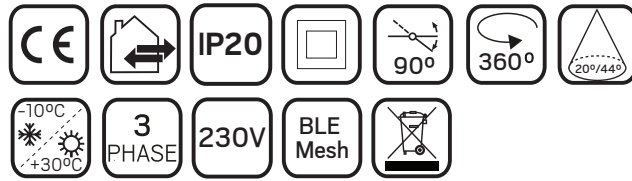


Compatible track systems
This track adaptor is designed for use with specific 4-Wires 3-Circuits track systems only. It is compatible with the following track systems:

- Global
- Powergear
- Unipro
- Ivela 7577

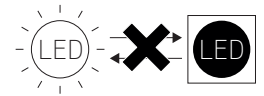
Vision Track L/Pro			
Kelvin	Watt	Lumen	
		20°	44°
2700	30	1900	1550
3000	30	2200	1800
4000	26	2000	1550
6500	21	1300	1050
Red	9	180	140
Green	9	550	430
Blue	9	360	290

E-nr	Snro	El.nr	GTIN	Name	Angle	LED color	Effect
7404100	4158606	3246202	7392971151557	Vision Track L 3-phase 20° White	20°	2700-6500K/RGBW	30W
7404101	4158607	3246203	7392971152097	Vision Track L 3-phase 44° White	44°	2700-6500K/RGBW	30W
7404102	4158608	3246204	7392971151564	Vision Track L 3-phase 20° Black	20°	2700-6500K/RGBW	30W
7404103	4158609	3246205	7392971152103	Vision Track L 3-phase 44° Black	44°	2700-6500K/RGBW	30W
7404104	4158614	3246210	7392971151571	Vision Track L 3-phase Pro 20° White	20°	2700-6500K/RGBW	30W
7404105	4158615	3246211	7392971152110	Vision Track L 3-phase Pro 44° White	44°	2700-6500K/RGBW	30W
7404106	4158616	3246212	7392971151588	Vision Track L 3-phase Pro 20° Black	20°	2700-6500K/RGBW	30W
7404107	4158617	3246213	7392971152127	Vision Track L 3-phase Pro 44° Black	44°	2700-6500K/RGBW	30W

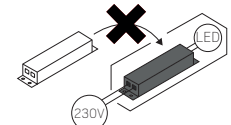


For explanation of symbols see www.hidealite.se | www.hidealite.com | www.hidealite.fi | www.hidealite.no | www.hidealite.dk

F Denna produkt innehåller en ljuskälla med energieffektivitetsklass F enligt förordning (EU) 2019/2015.
This product contains a light source of energy efficiency class F to Regulation (EU) No 2019/2015.



Non-replaceable light source



Non-replaceable control gear

SAFETY INSTRUCTIONS

en Read these instructions carefully before commencing installation and retain for future reference. The luminaire should be installed by a licensed electrician and in accordance with local regulations. Make sure that the power is off before installation or maintenance.

sv Läs dessa instruktioner före installationen påbörjas och lämna den vidare till brukaren av anläggningen. Armaturen skall installeras av behörig installatör och enligt gällande föreskrifter. Se till att spänningen är frånslagen före installation eller underhåll.

fi Lue nämä ohjeet ennen asentamista ja luovuta ohjeet valaisimen seuraavalle käyttäjälle. Valaisimen saa asentaa valtuutettu asentaja voimassa olevien määräysten mukaisesti. Varmista, että jännite on kytketty päältä ennen asennusta ja huoltoa.

no Les disse instruksjonene før du starter installeringen, og gi den deretter videre til anleggets bruker. Armaturen skal installeres av en godkjent installatør og i henhold til gjeldende lover og regler. Sørg for at strømmen er koblet fra før installering og ved vedlikehold.

da Læs denne vejledning omhyggeligt, før installationen udføres og gem den til fremtidig brug. Armaturet skal installeres af en autoriseret installatør i henhold til gældende love og regler. Sørg strømmen er afbrudt før installation og vedligeholdelse.

de Lesen Sie diese Anweisungen sorgfältig, bevor Sie mit der Installation beginnen, und bewahren Sie sie für späteres Nachschlagen auf. Dieses Leuchtmittel muss durch einen lizenzierten Elektriker im Einklang mit den örtlichen Vorschriften installiert werden. Stellen Sie vor Installations- oder Wartungsarbeiten sicher, dass keine Spannung mehr anliegt.

pl Przed przystąpieniem do instalacji należy się uważnie zapoznać z instrukcją i zachować ją na przyszłość. Oprawę oświetleniową powinien zainstalować uprawniony elektryk zgodnie z miejscowymi przepisami. Przed instalacją lub konserwacją wyłączyć zasilanie.

fr Lisez attentivement ces consignes avant de commencer l'installation. Pensez également à vous y reporter ultérieurement. Le luminaire doit être installé par un électricien agréé, conformément à la réglementation locale. Veillez à couper le courant avant l'installation et toute opération de maintenance.

APP

Download the App.



The Hide a Lite Vision app can be download at Apple Store or Android Play services and it is free to download and use.

Create your account, and then your ready to start your new exciting lightingt project

Terms of Use

Information:

The camera function in this product is solely intended to gather color information of an object.

This product or cloud service never saves image material; it is automatically deleted.

When using the "AUTO" function, as a user, you can never see the product's last taken picture; it is immediately deleted.

Terms:

The purpose of Tracklight is NOT to take pictures of people. When using the product and its functions, always ensure that no p erson is captured in the photo.

-Alt 1: When using the "Take a picture" function, always ensure that no person is captured in the image.

-Alt 2: When using the "View commodity position" function, always ensure that you are physically close to the product to ensure that no person is captured in the image.

Using the product for illegal purposes or in ways that violate applicable legislation or these Terms of Use is strictly prohibited.

Elektro Elco guarantees that personal information such as email address and name created in the application will be periodically cleansed from our cloud service. Elektro Elco is the data controller in our customer relationship and ensures this. Read more: <https://www.hidealite.com/sv-se/om-oss/policies>

Privacy and Data Protection - The use of the product may involve the collection and processing of personal data. If a person is captured in a photo, it is your responsibility to ensure that all such processing is in accordance with applicable data protection legislation, including GDPR where relevant.

Changes to the Terms – Elektro Elco reserves the right to change these Terms at any time. The latest version of the Terms will always be available on our webb www.hidealite.com

General information



AI - Object Detection Guidelines

- The recommended distance between the commodity and the track light is 0.5 m to 5 m.
- For best performance, we recommend keeping a distance of 2–3 meters.
- For stable and reliable AI recognition, the minimum object size should be approximately the size of an A4 sheet (210 × 297 mm).
- The visual sensor provides a detection angle of 65°.

Firmware Update Instructions

To ensure optimal performance and access to the latest functions and features, please update the firmware of the fixture before configuring groups or settings.

- Vision Track L: Firmware updates are performed via Bluetooth®.
- Vision Track L Pro: Firmware updates are performed via Wi-Fi (2.4 GHz).

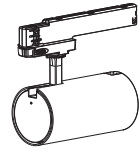
Note!

Different materials affect Vision Mesh signal strength in various ways:

- Metal: Blocks or significantly weakens signals.
- Concrete, Brick: Reduces signal range.
- Wood, Glass, Plastic: Minimal impact on signal performance

Note!

Antenna is located at the rear of the fixture. Keep this area clear to ensure reliable communication signal.



Proper placement of the fixtures is important to ensure strong Vision Mesh connectivity. Avoid installing devices behind metal surfaces or dense walls. Please check signal levels after installation to ensure stable performance. For optimal performance, we recommend maintaining an approximate distance of up to 10 meters between Vision Mesh devices under good conditions. This helps ensure strong and reliable connectivity..

If you need further information, technical data, troubleshooting, technical support or inspiration, you are always welcome to visit our homepage. www.hidealite.com

hidealite

Light setting mode

There are three ways to set lighting

1. Auto mode

- Auto mode is on by default. The tracklight senses the commodity information and tune the light automatically to a professional formula to enhance the commodity.
- Using auto mode, the sensor on the tracklight will sense commodity information every 20 minutes by default.
- Using other light setting method, like take photo or customization, will turn auto mode off. Turn "Auto mode" on in APP if use auto mode again.
- Only Vision Pro have auto mode function

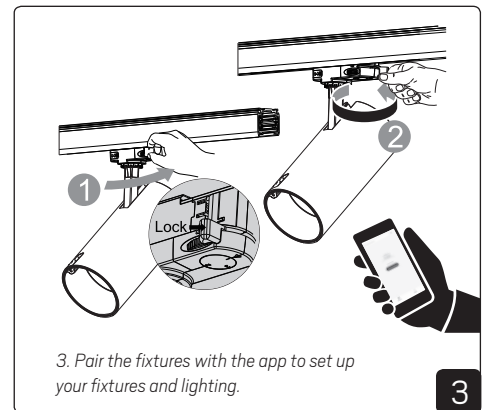
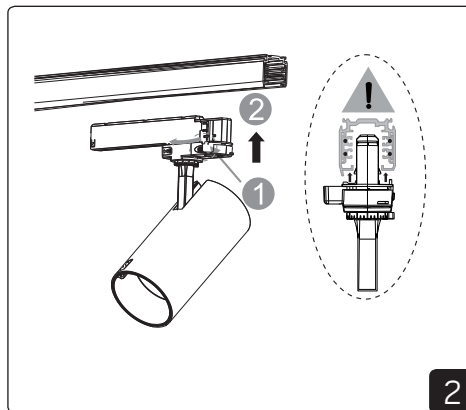
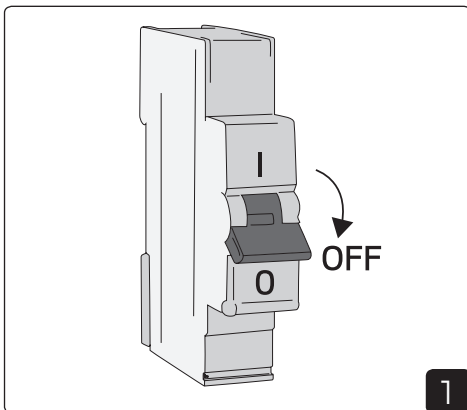
2. Take photo

- Take a photo of target commodity or choose a photo from albums
- "Draw a box" or "tap" on the target color and the light will be changed accordingly.
- Auto mode will be turned off automatically.

3. Customization

- Tap "Customization" on lighting setting page, user can tune the color, color temperature, saturation and brightness of the light.
- By pressing "Pure RGB", you turn off the white light and can then get pure RGB colors
- Auto mode will be turned off automatically.

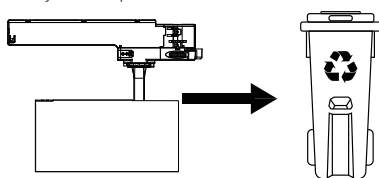
Installation



3. Pair the fixtures with the app to set up your fixtures and lighting.

Recycling

Recycle the product



① Metal ② Plastic

③ Electronic

